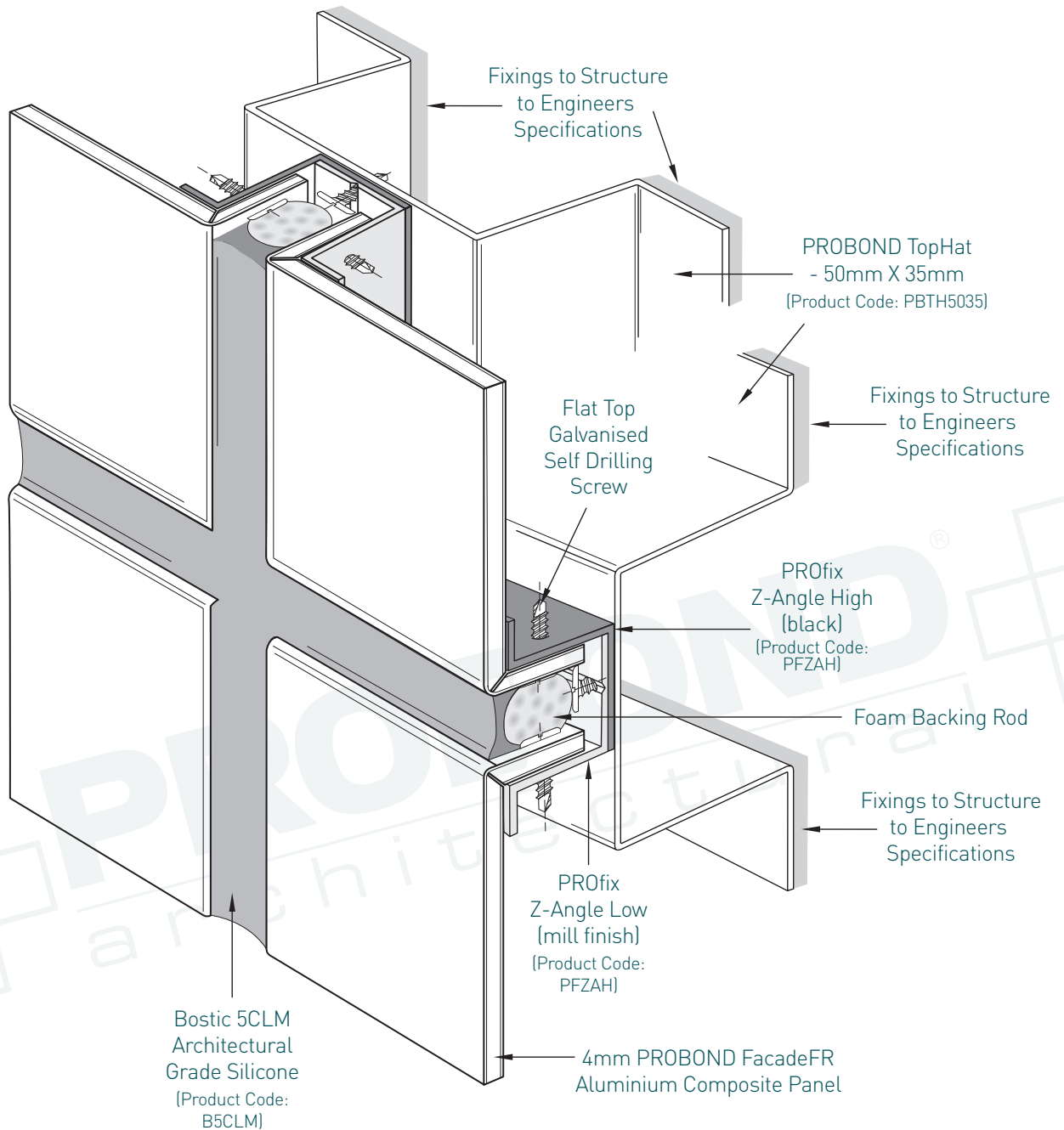
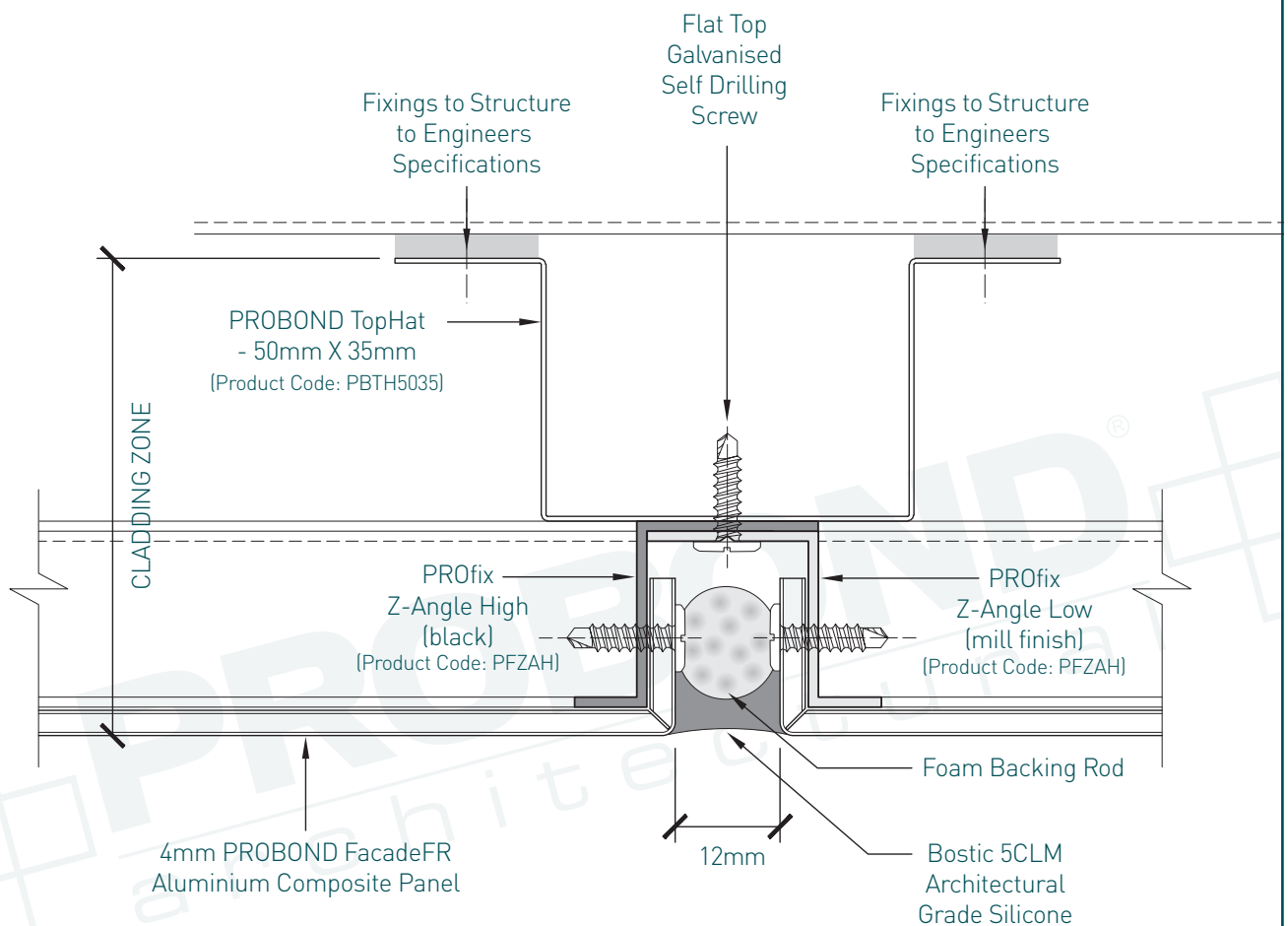


PROFIX CASSETTE INSTALLATION SYSTEM



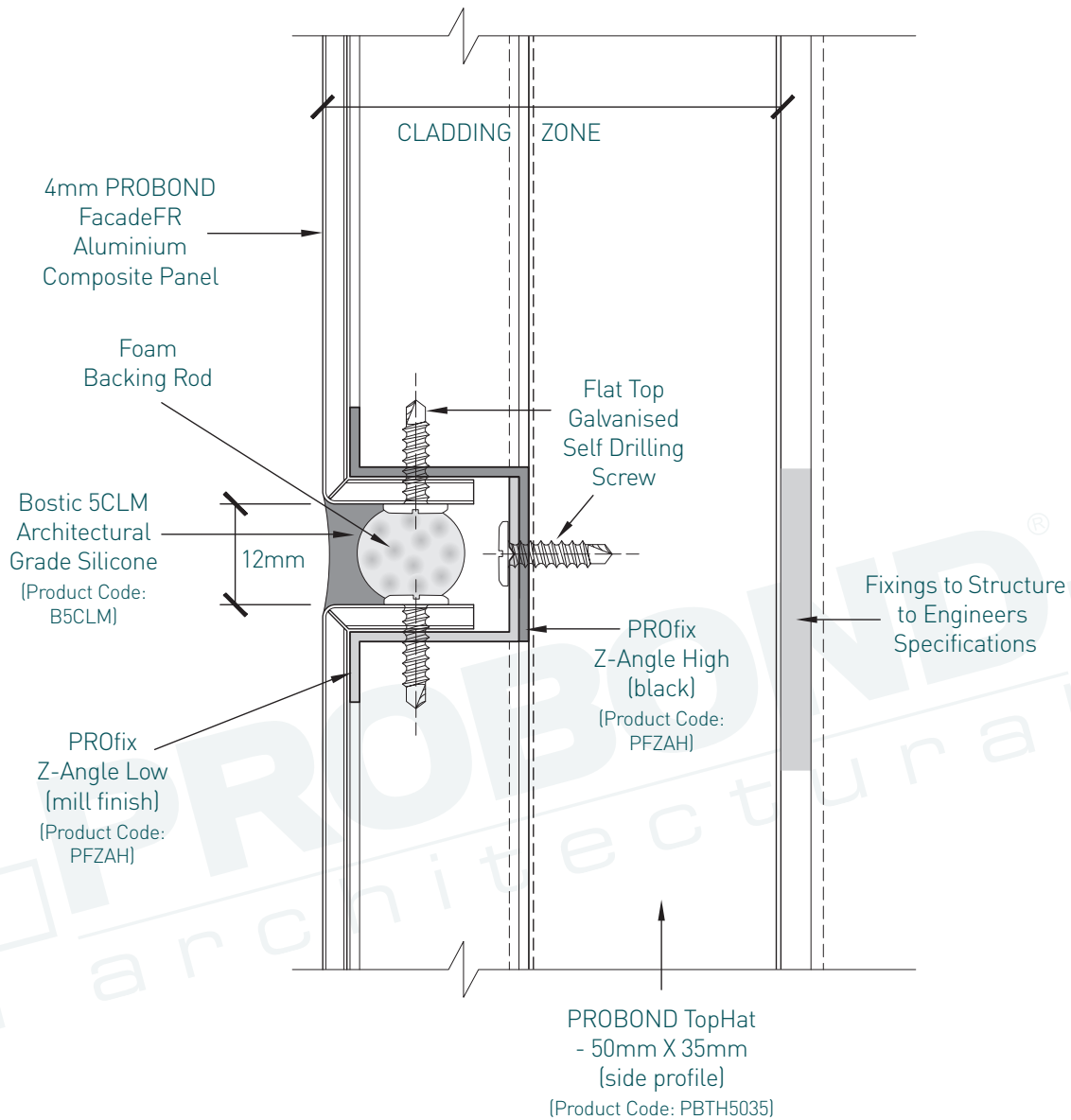
1. Face Detail - Cassette Installation

PROFIX CASSETTE INSTALLATION SYSTEM



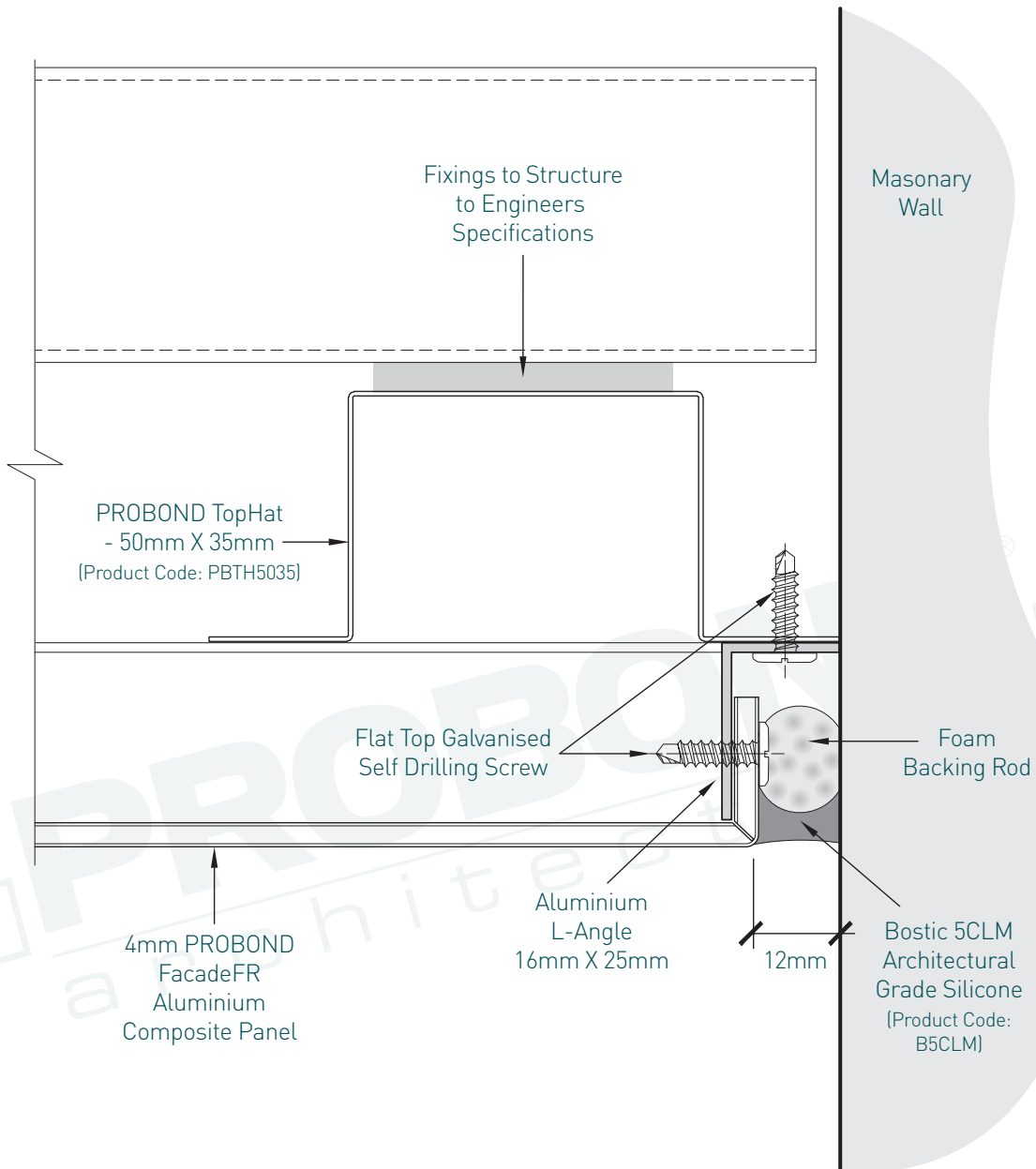
2. Typical Panel Joint Detail

PROFIX CASSETTE INSTALLATION SYSTEM



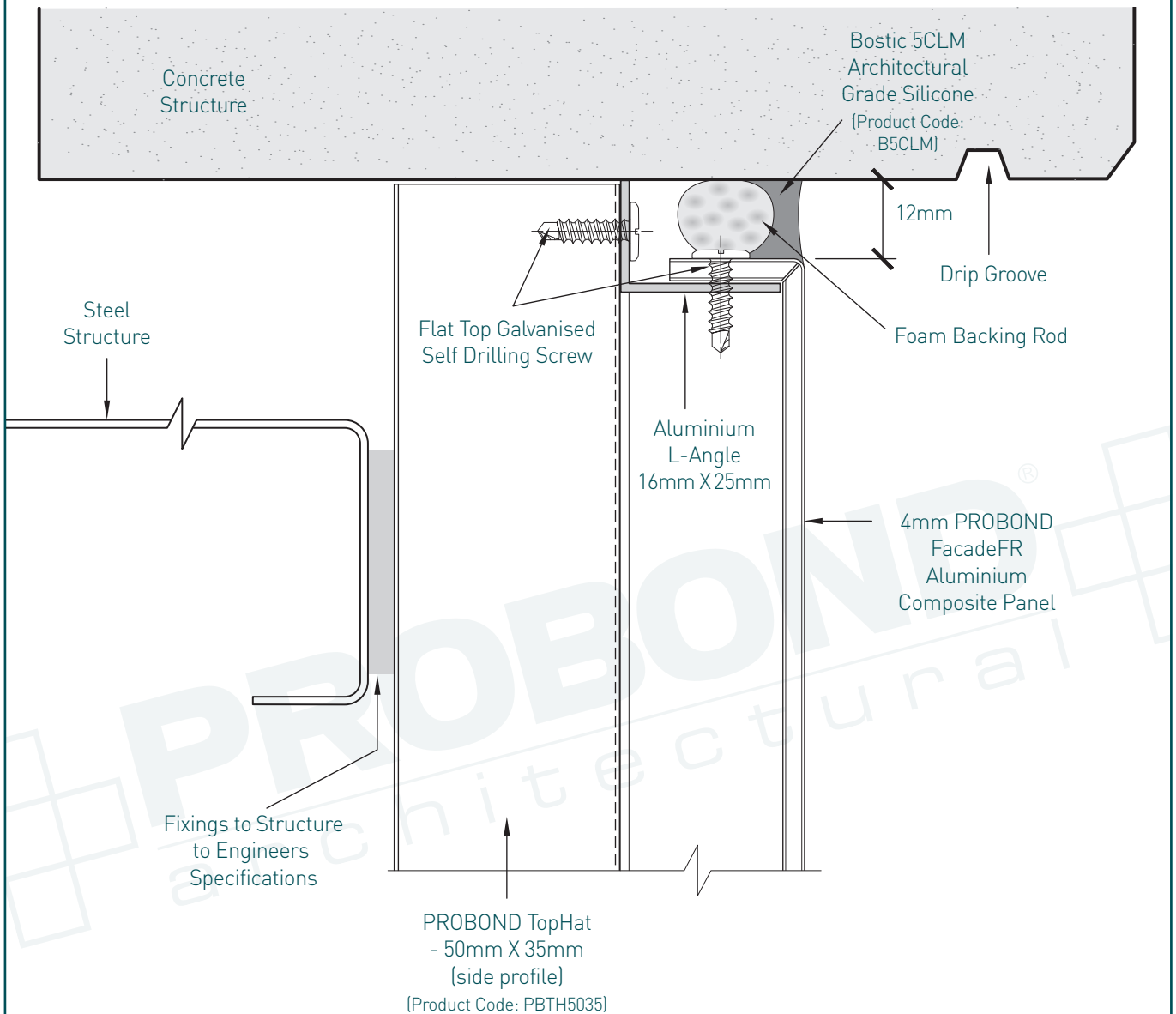
3. Horizontal Joint Detail

PROFIX CASSETTE INSTALLATION SYSTEM



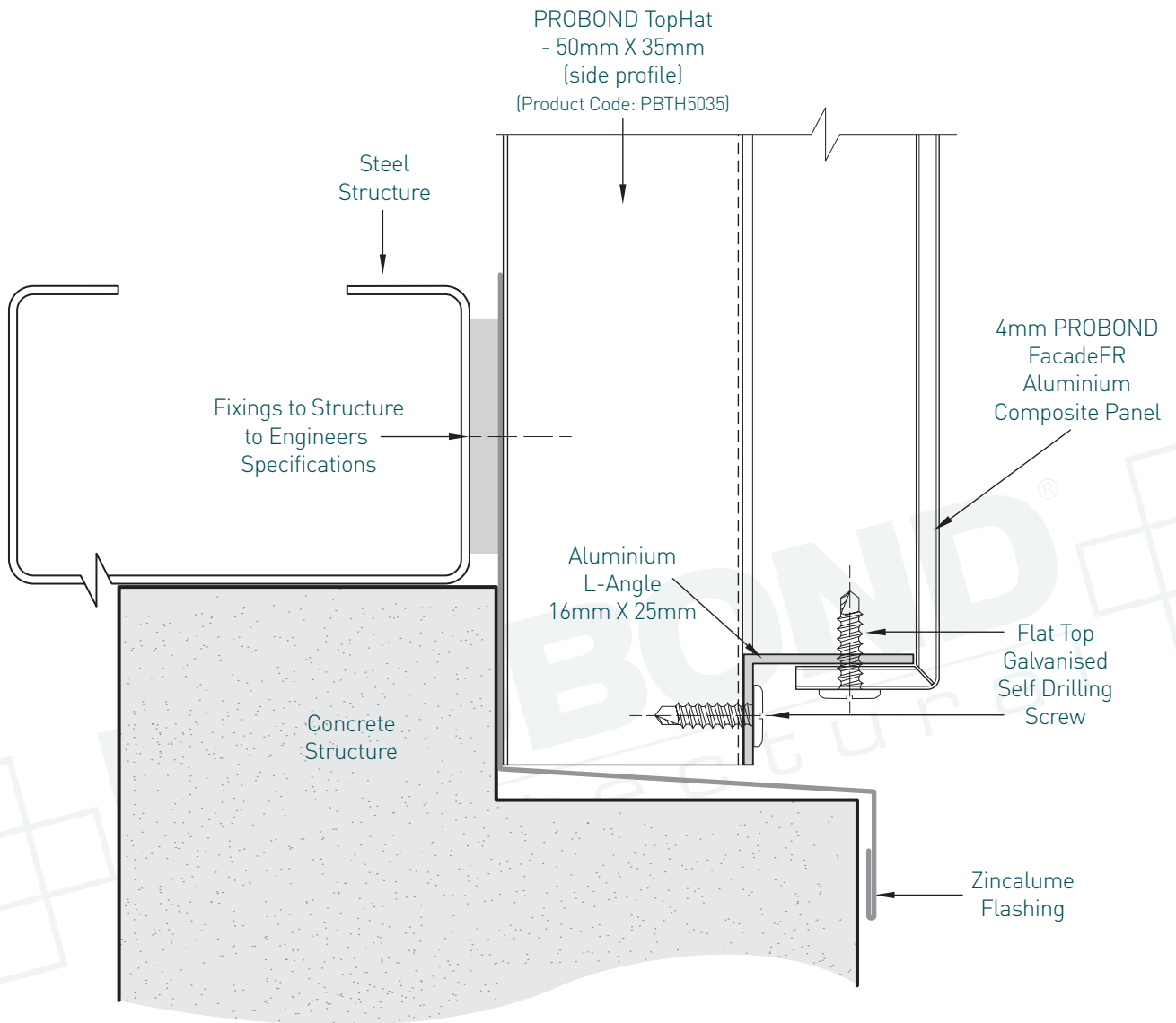
4. Detail Showing Panel at Masonry Wall

PROFIX CASSETTE INSTALLATION SYSTEM



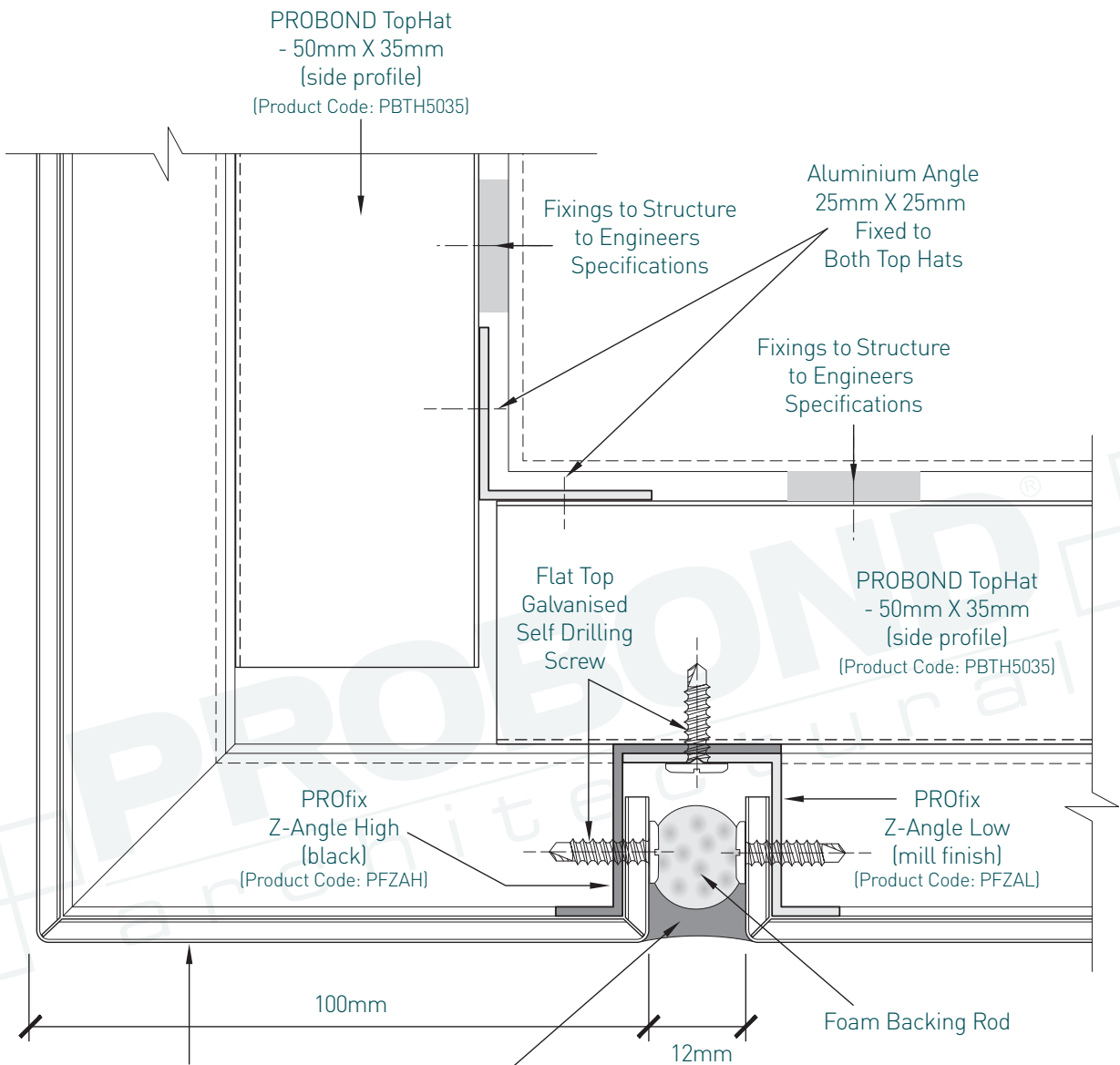
5. Detail at Slab Junction-Head

PROFIX CASSETTE INSTALLATION SYSTEM



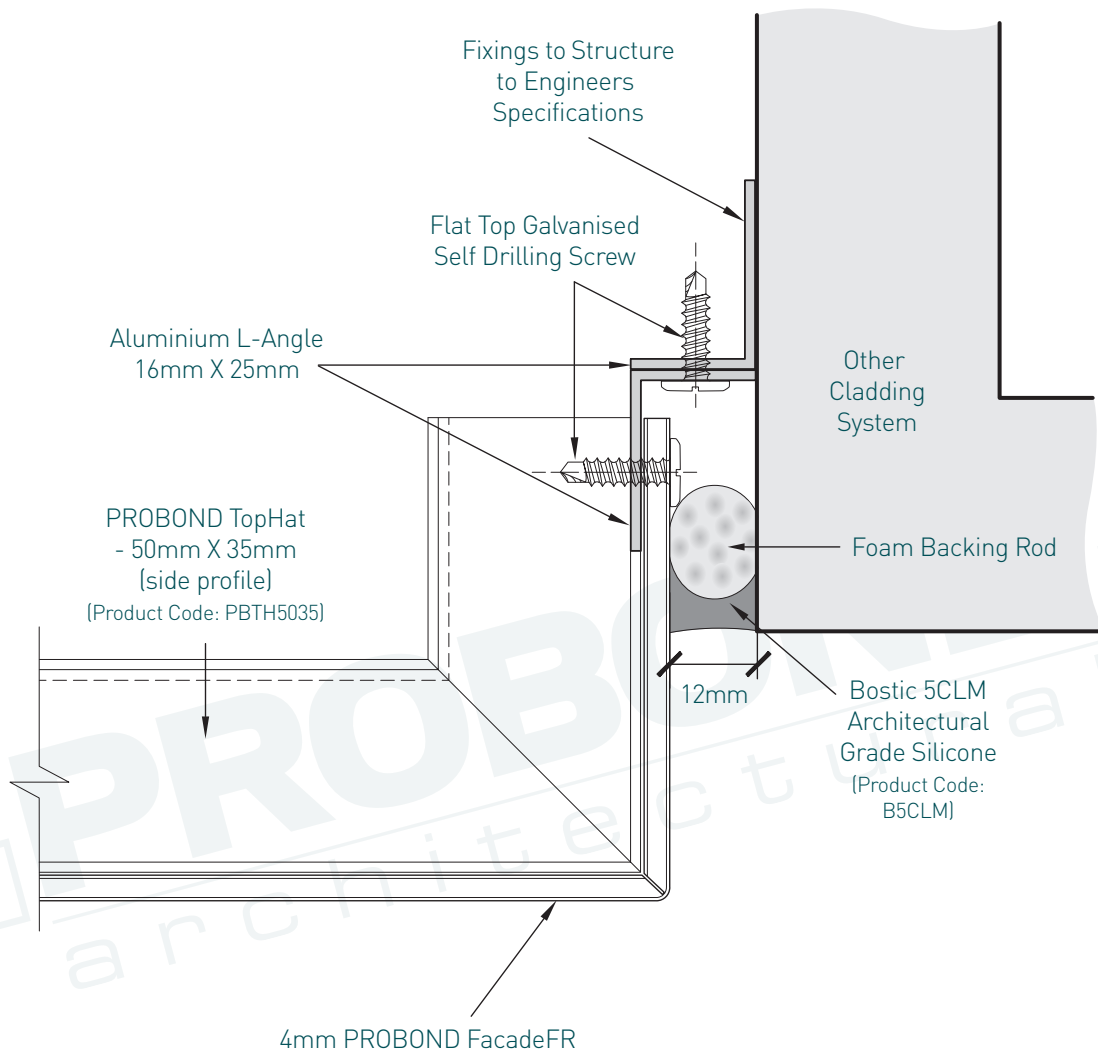
6. Detail at Slab Junction-Base

PROFIX CASSETTE INSTALLATION SYSTEM



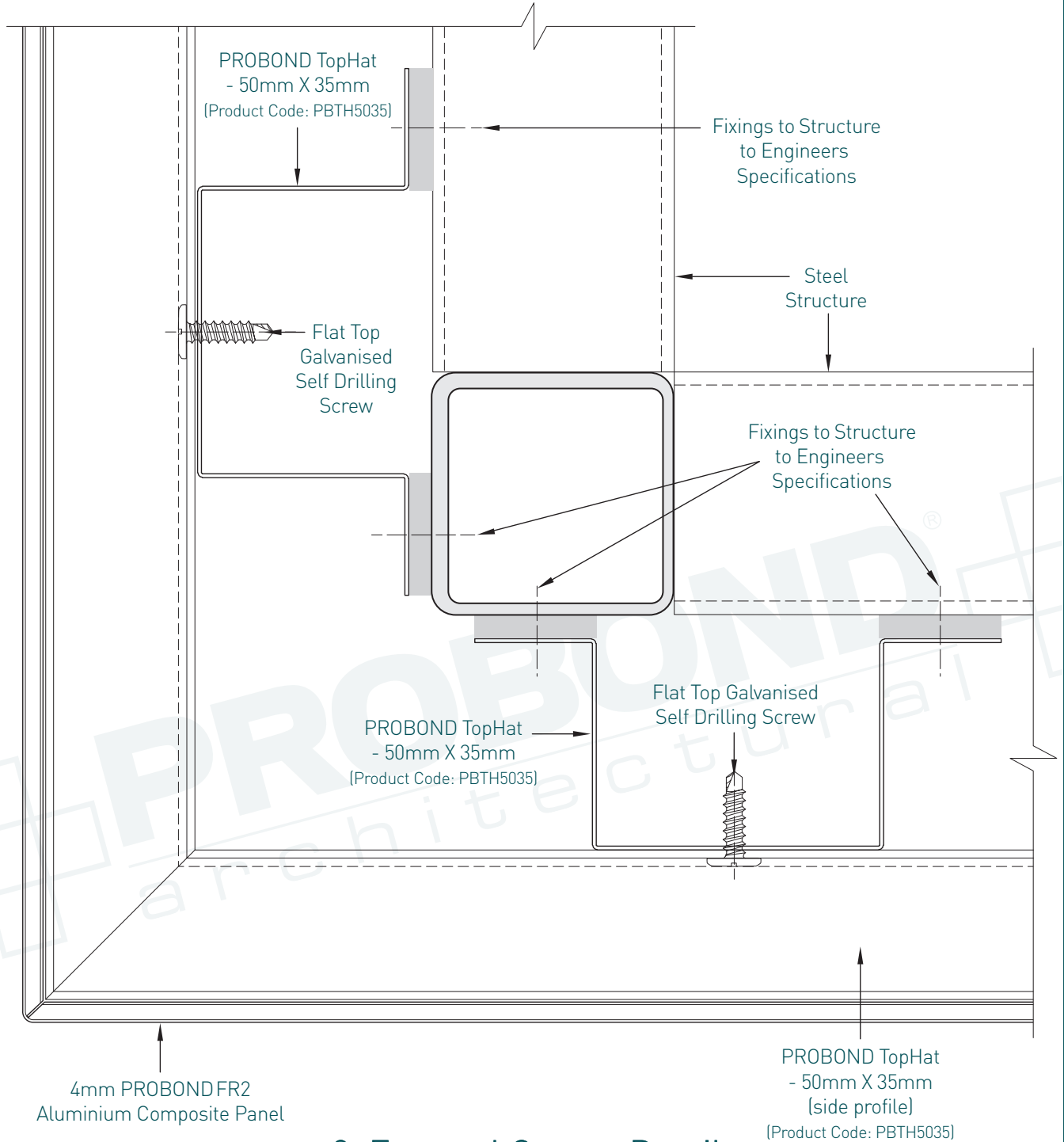
7. Detail at Soffit Junction

PROFIX CASSETTE INSTALLATION SYSTEM



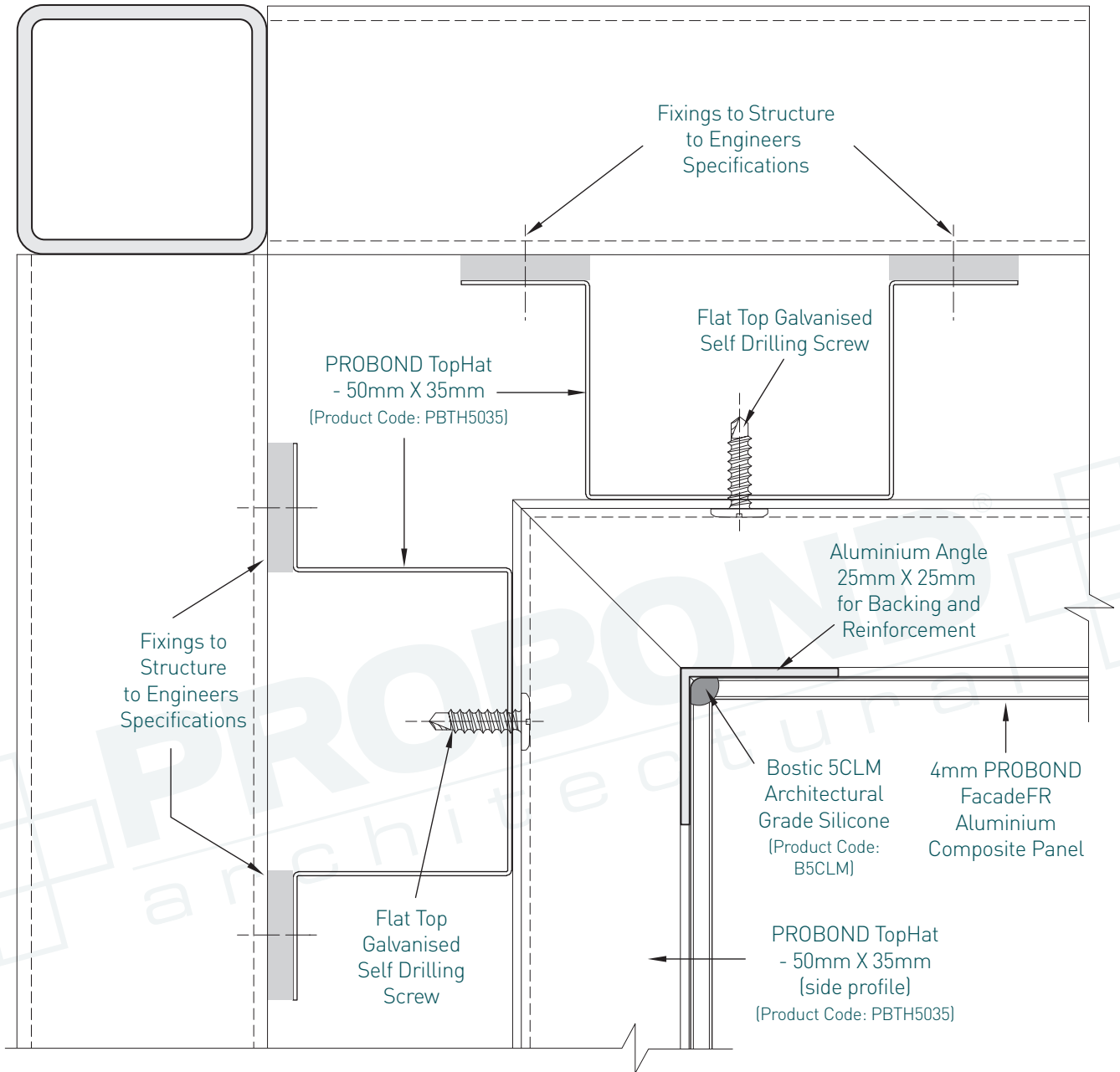
8. Wall Abutment Detail

PROFIX CASSETTE INSTALLATION SYSTEM



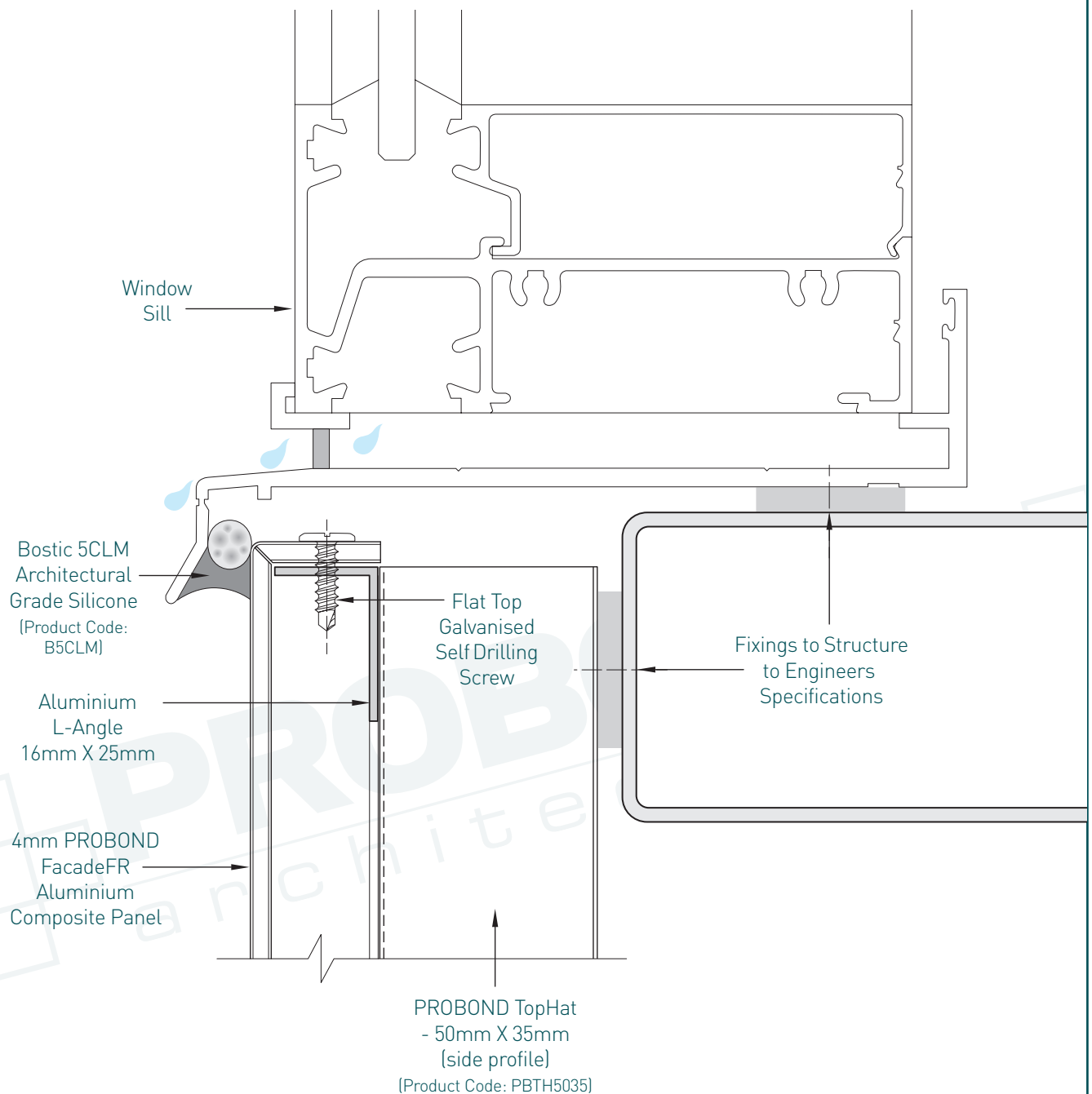
9. External Corner Detail

PROFIX CASSETTE INSTALLATION SYSTEM



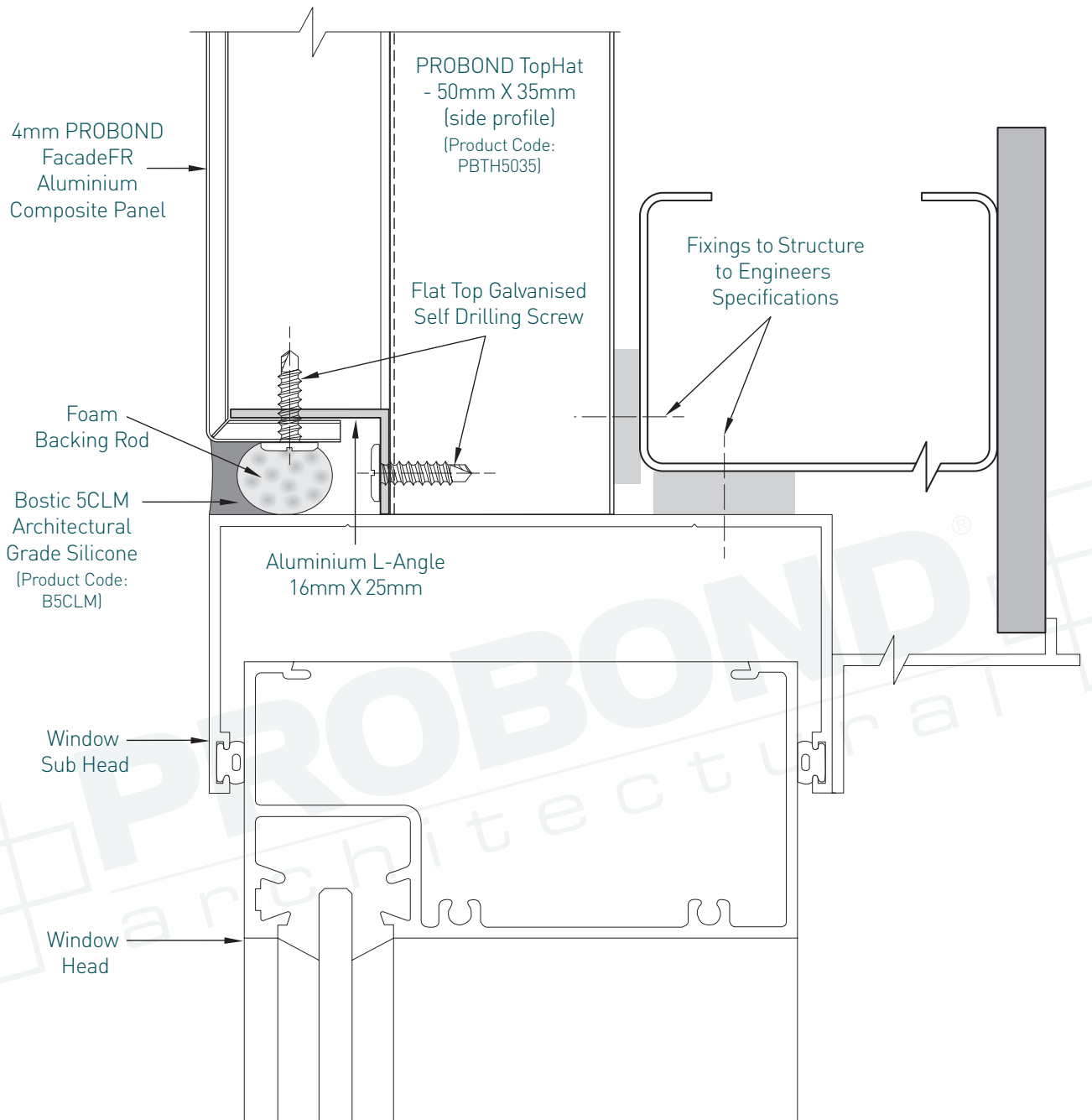
10. Internal Corner Detail

PROFIX CASSETTE INSTALLATION SYSTEM



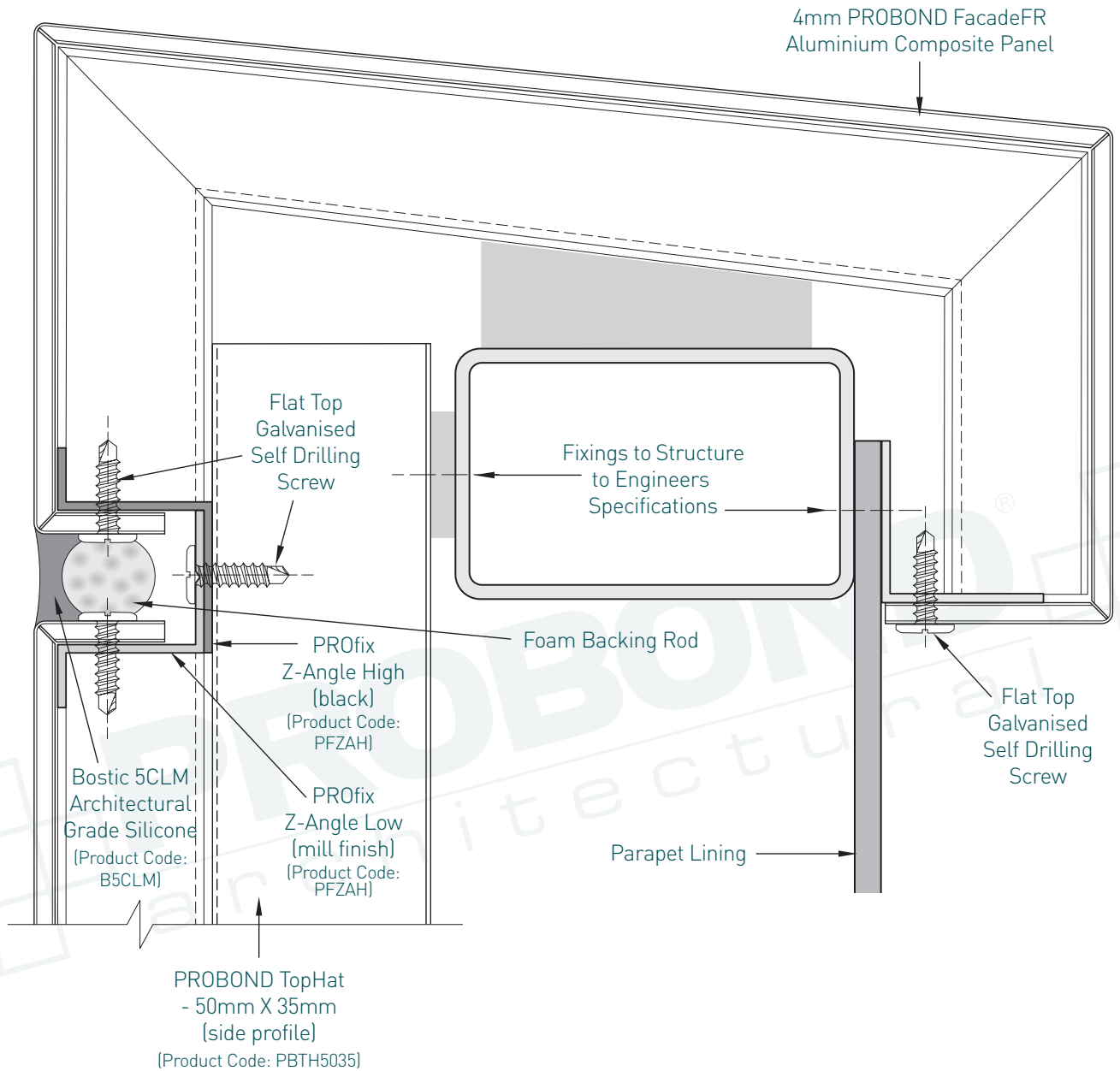
11. Window Sill Detail

PROFIX CASSETTE INSTALLATION SYSTEM



12. Window Head Detail

PROFIX CASSETTE INSTALLATION SYSTEM



13. Parapet Capping Detail