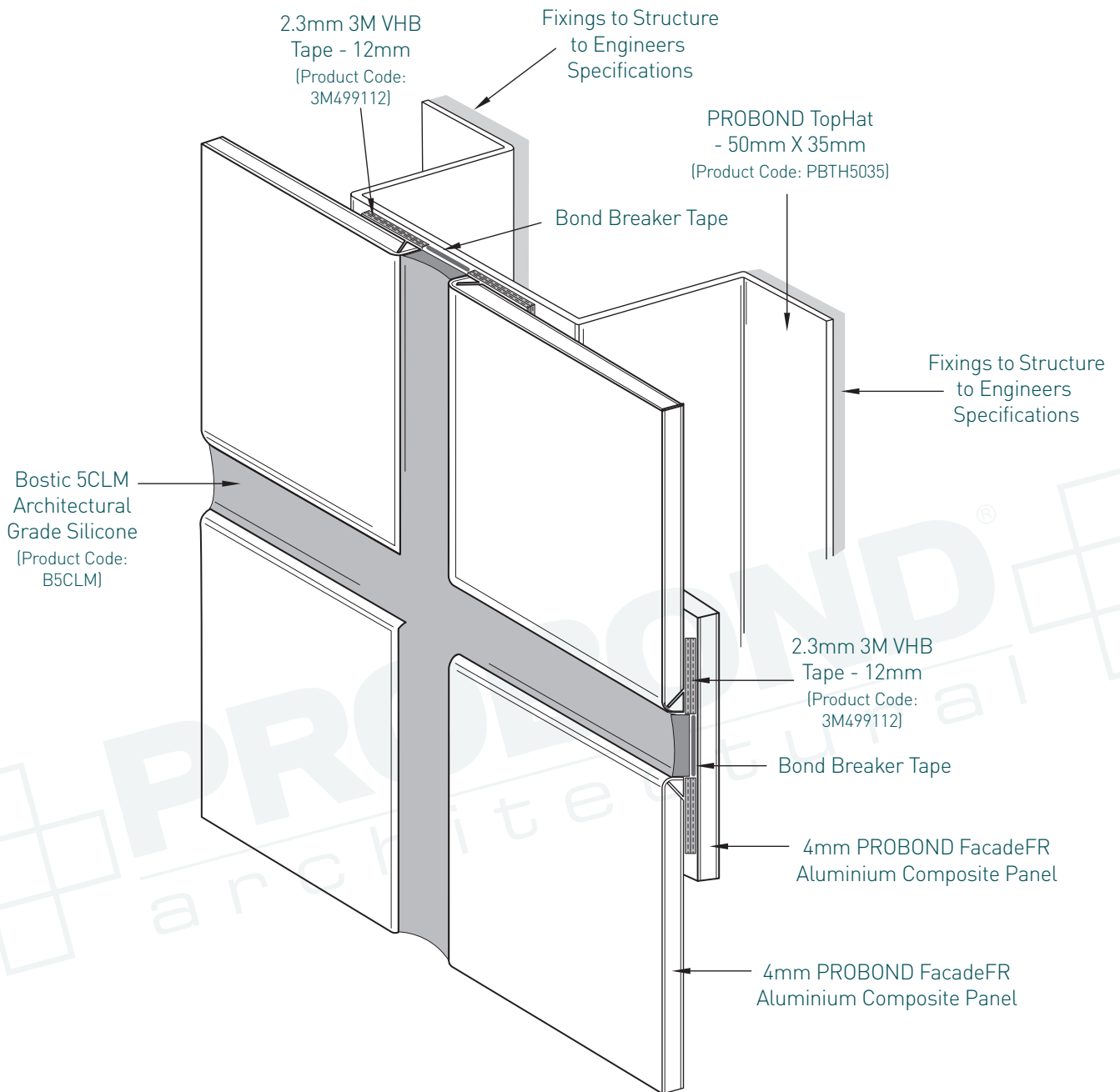
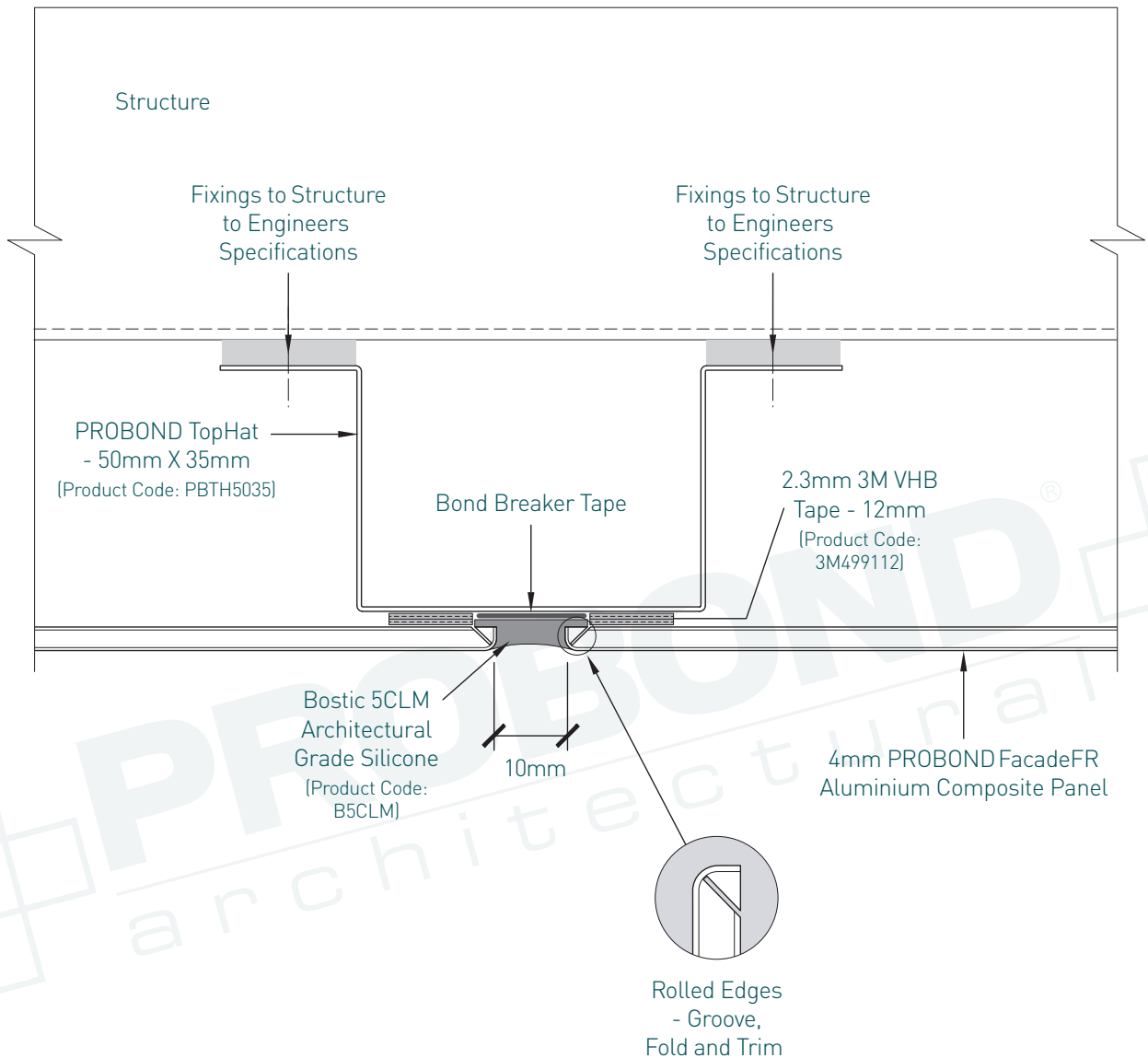


PROFIX CONCEALED FLAT STICK INSTALLATION SYSTEM



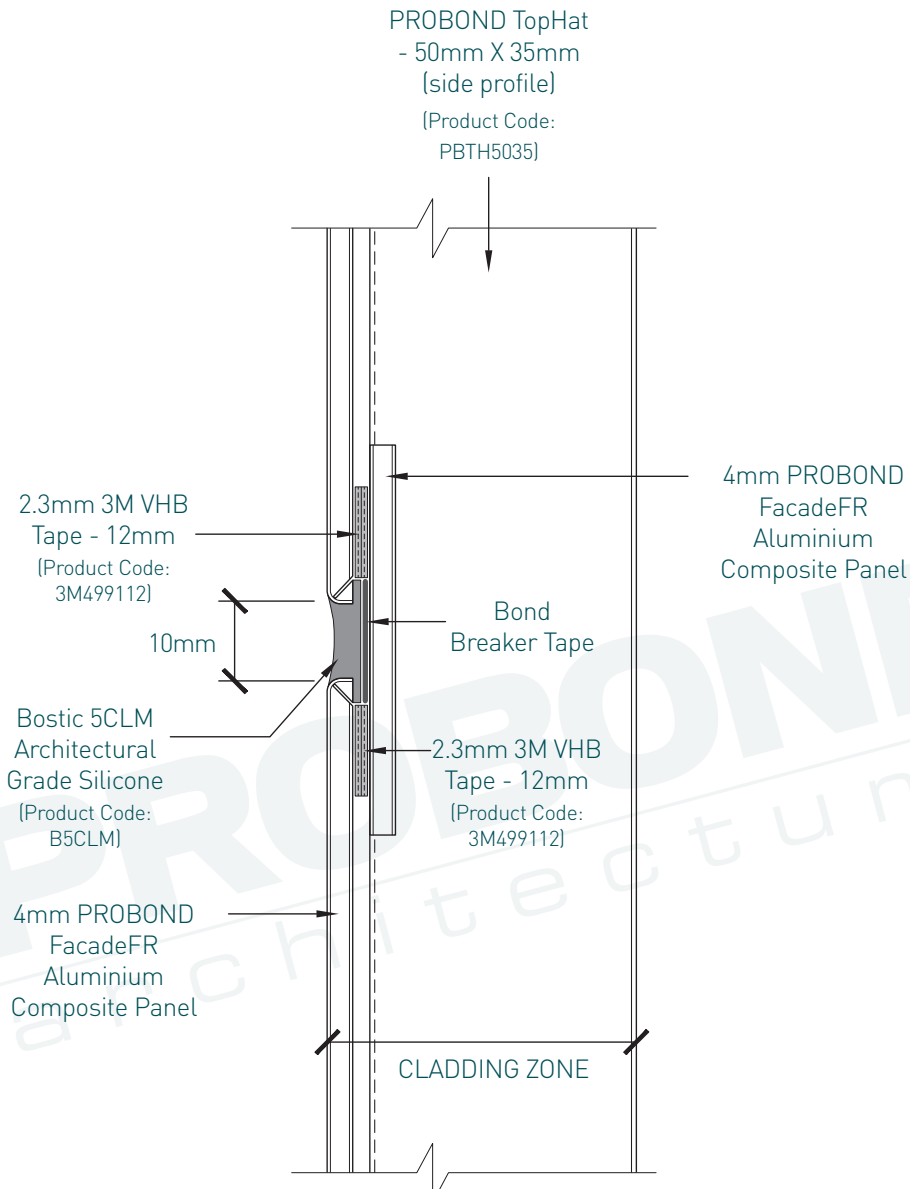
1. Face Detail - Concealed Flat Stick Installation

PROFIX CONCEALED FLAT STICK INSTALLATION SYSTEM



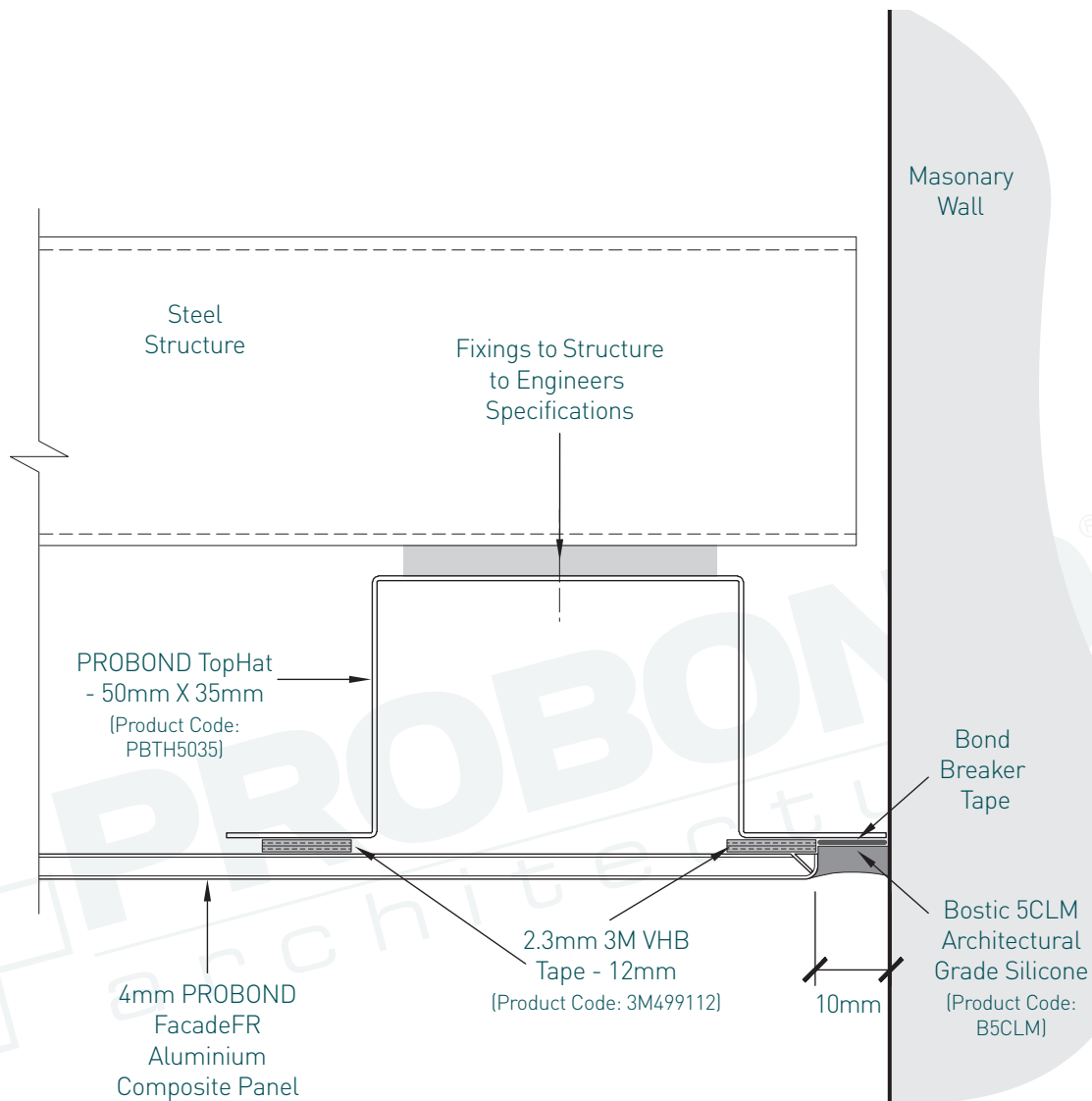
2. Typical Panel Joint Detail

PROFIX CONCEALED FLAT STICK INSTALLATION SYSTEM



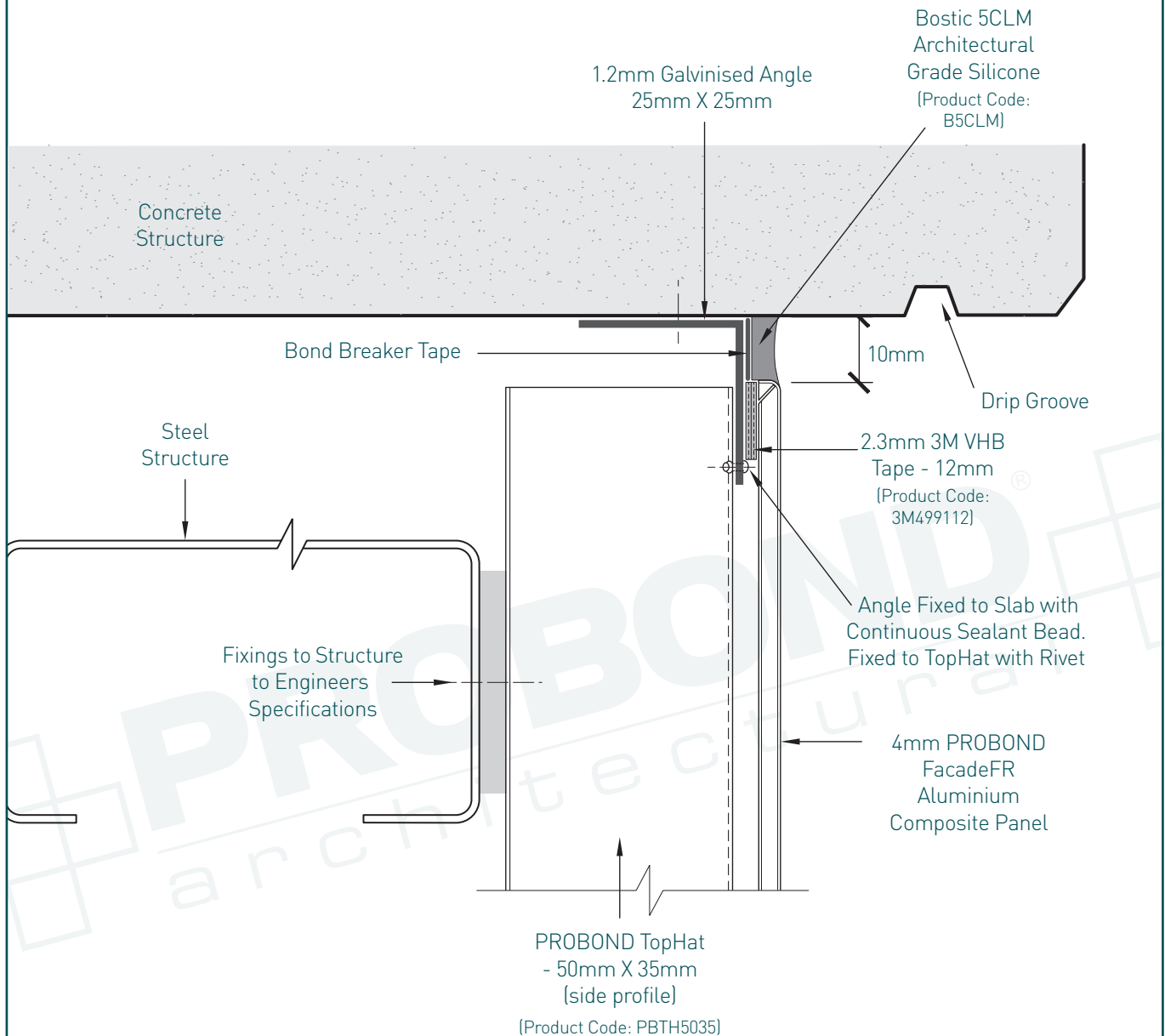
3. Horizontal Joint Detail

PROFIX CONCEALED FLAT STICK INSTALLATION SYSTEM



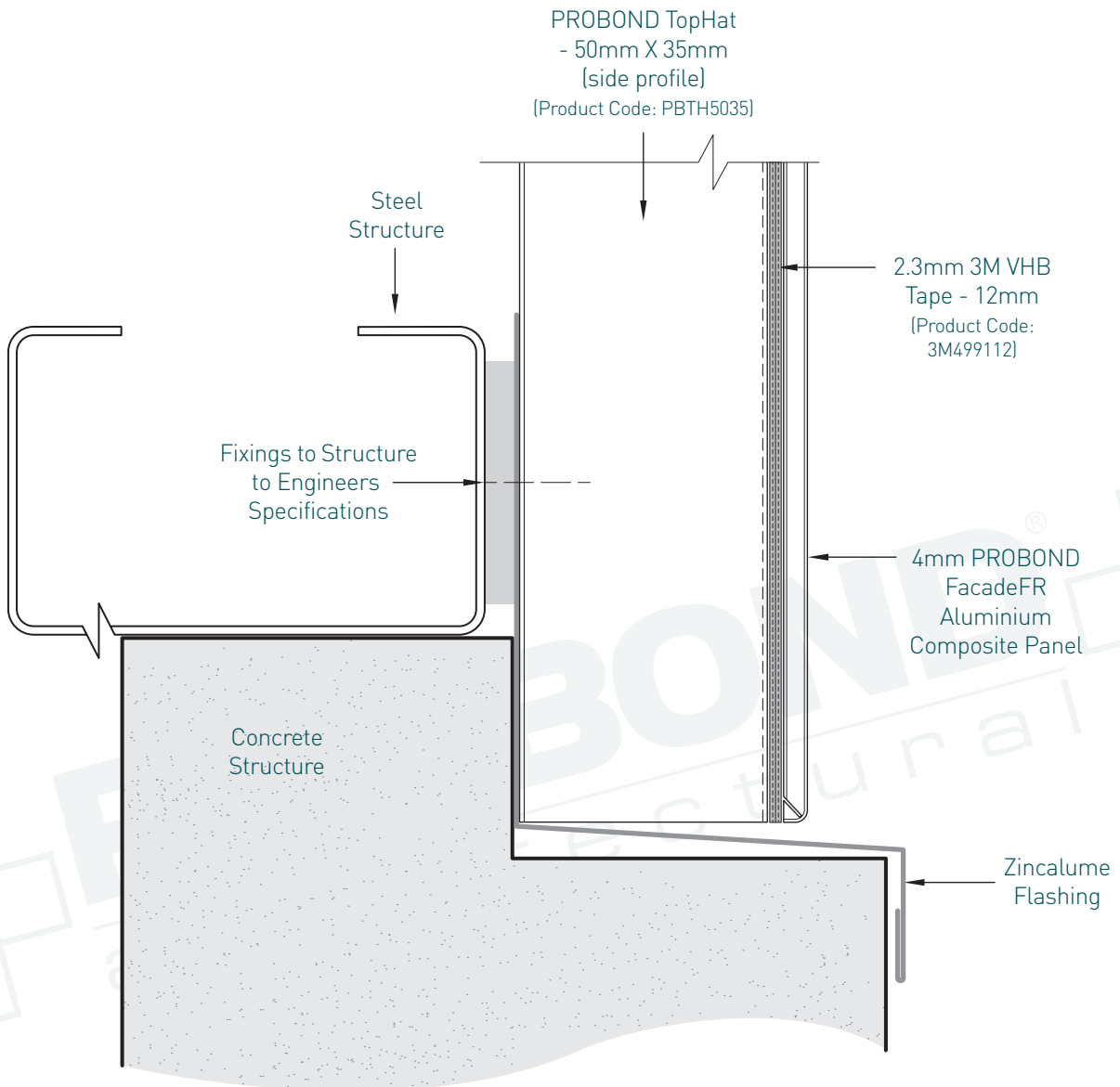
4. Detail Showing Panel at Masonry Wall

PROFIX CONCEALED FLAT STICK INSTALLATION SYSTEM



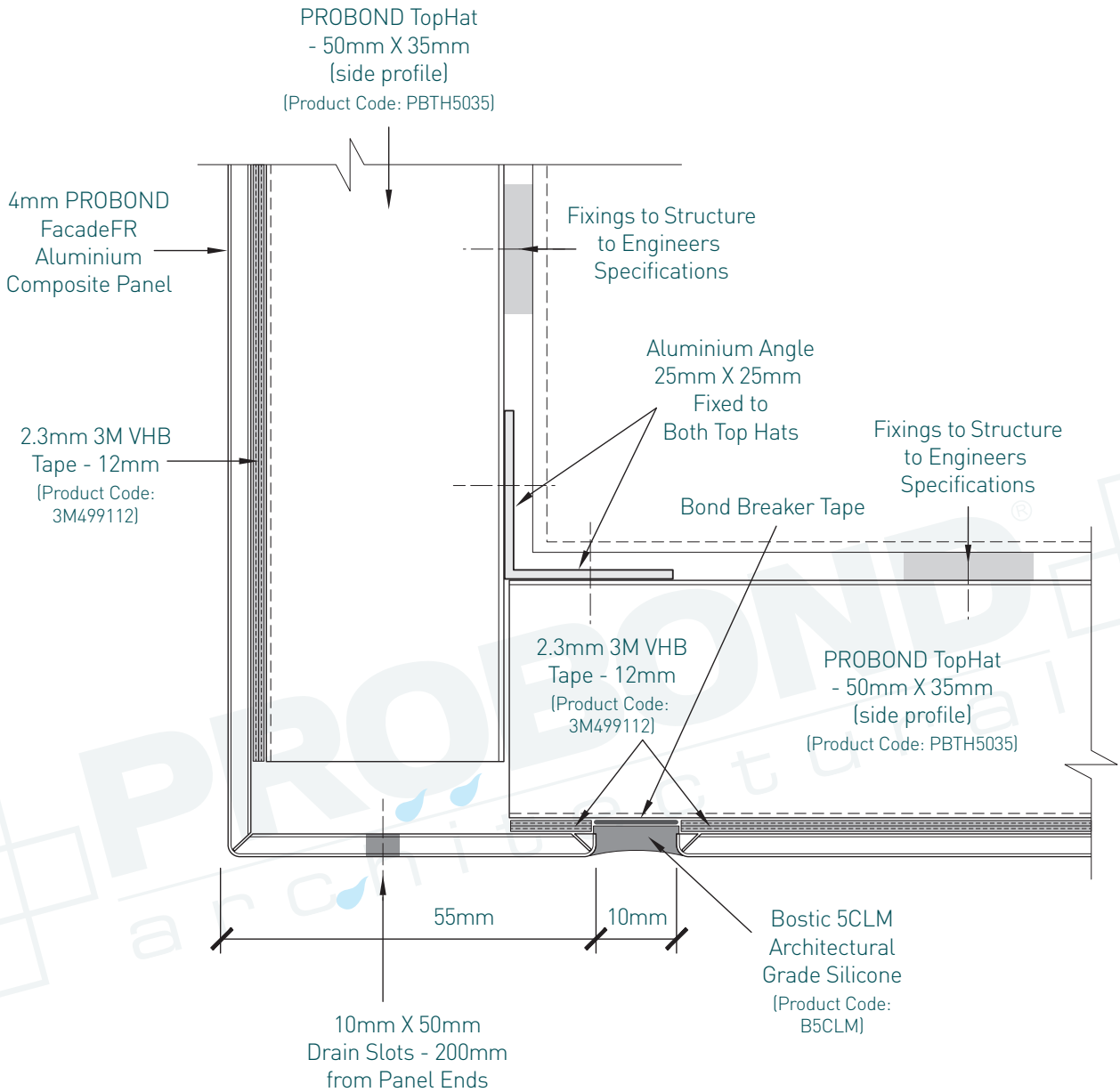
5. Detail at Slab Junction-Head

PROFIX CONCEALED FLAT STICK INSTALLATION SYSTEM



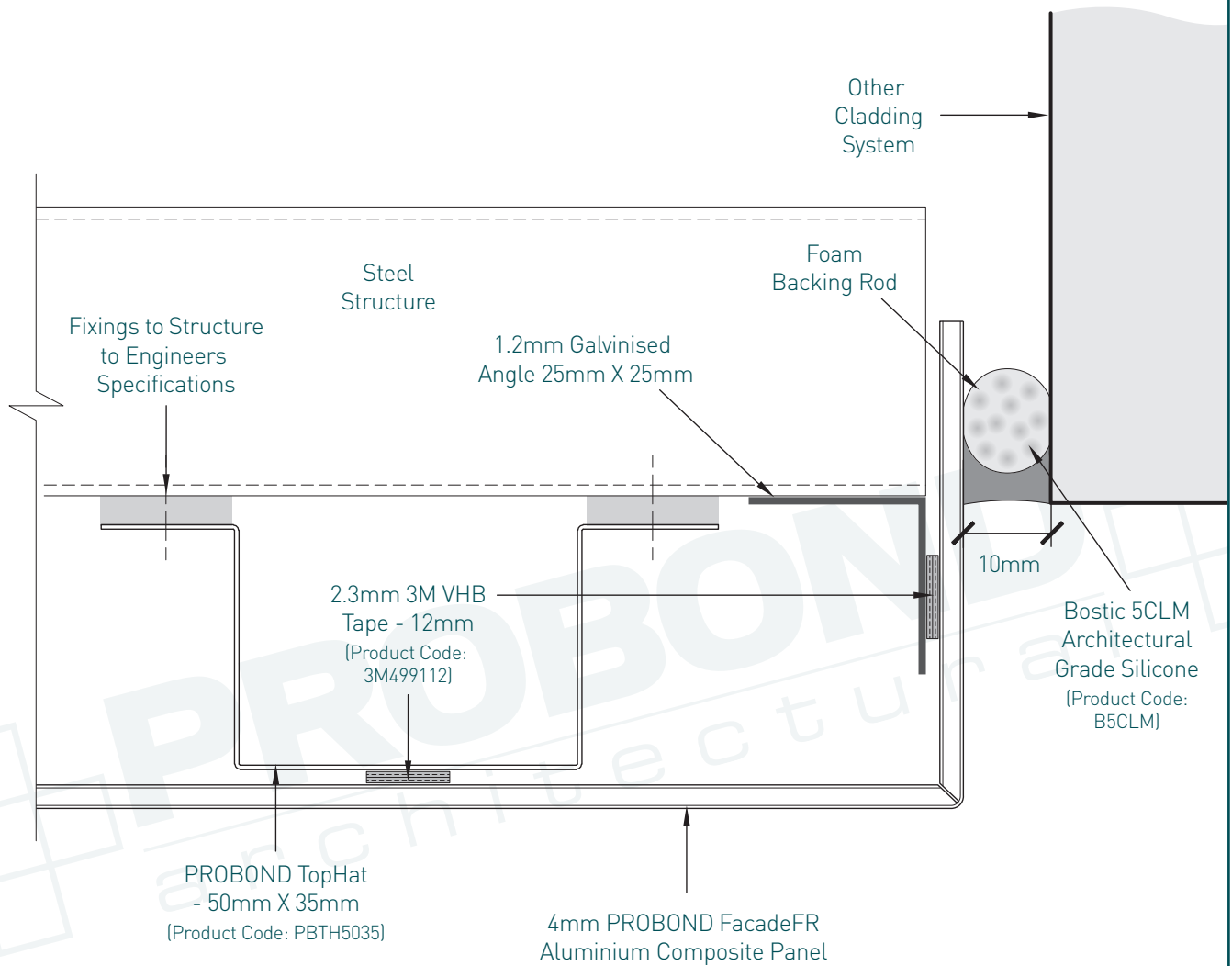
6. Detail at Slab Junction-Base

PROFIX CONCEALED FLAT STICK INSTALLATION SYSTEM



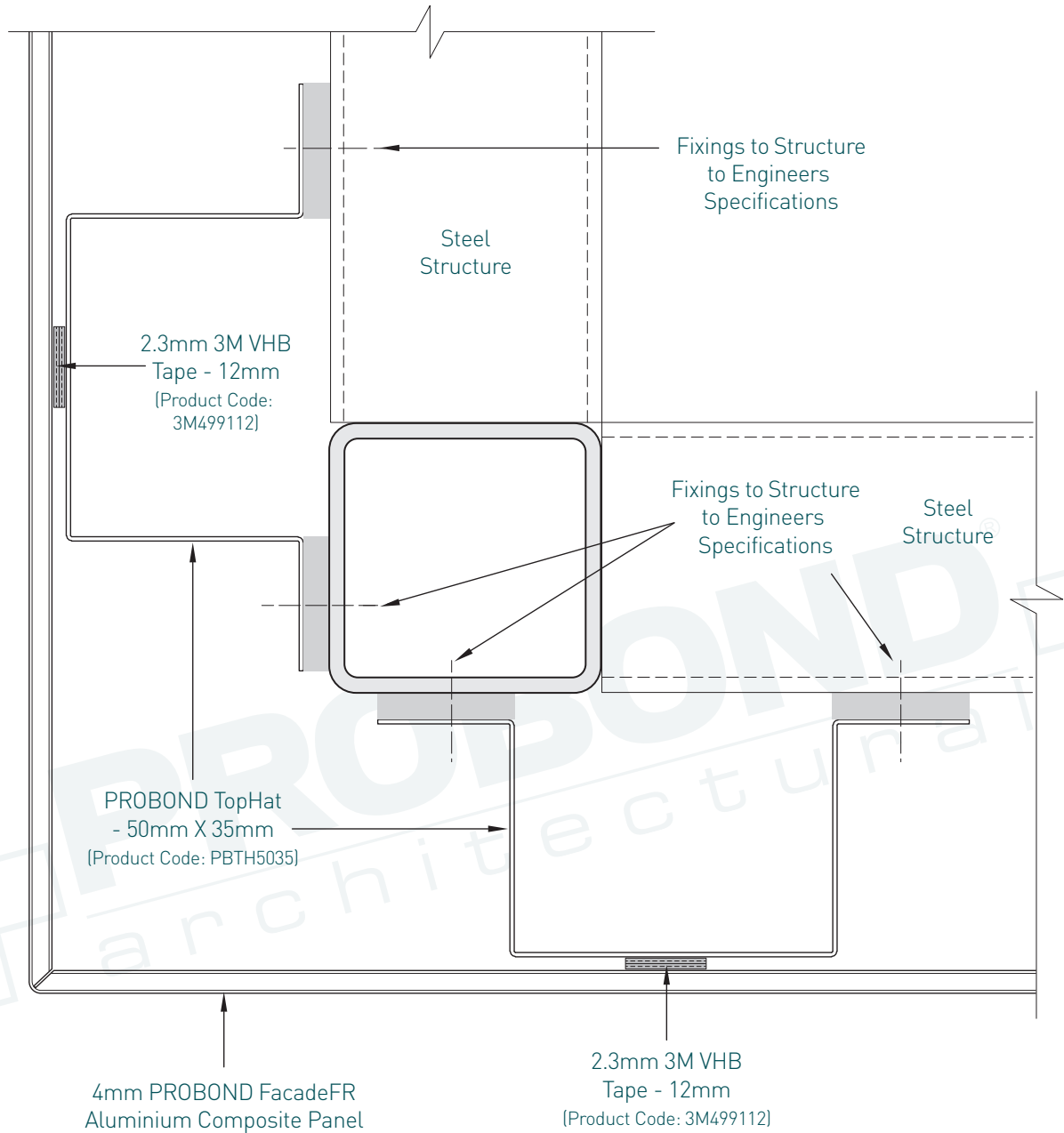
7. Detail at Soffit Junction

PROFIX CONCEALED FLAT STICK INSTALLATION SYSTEM



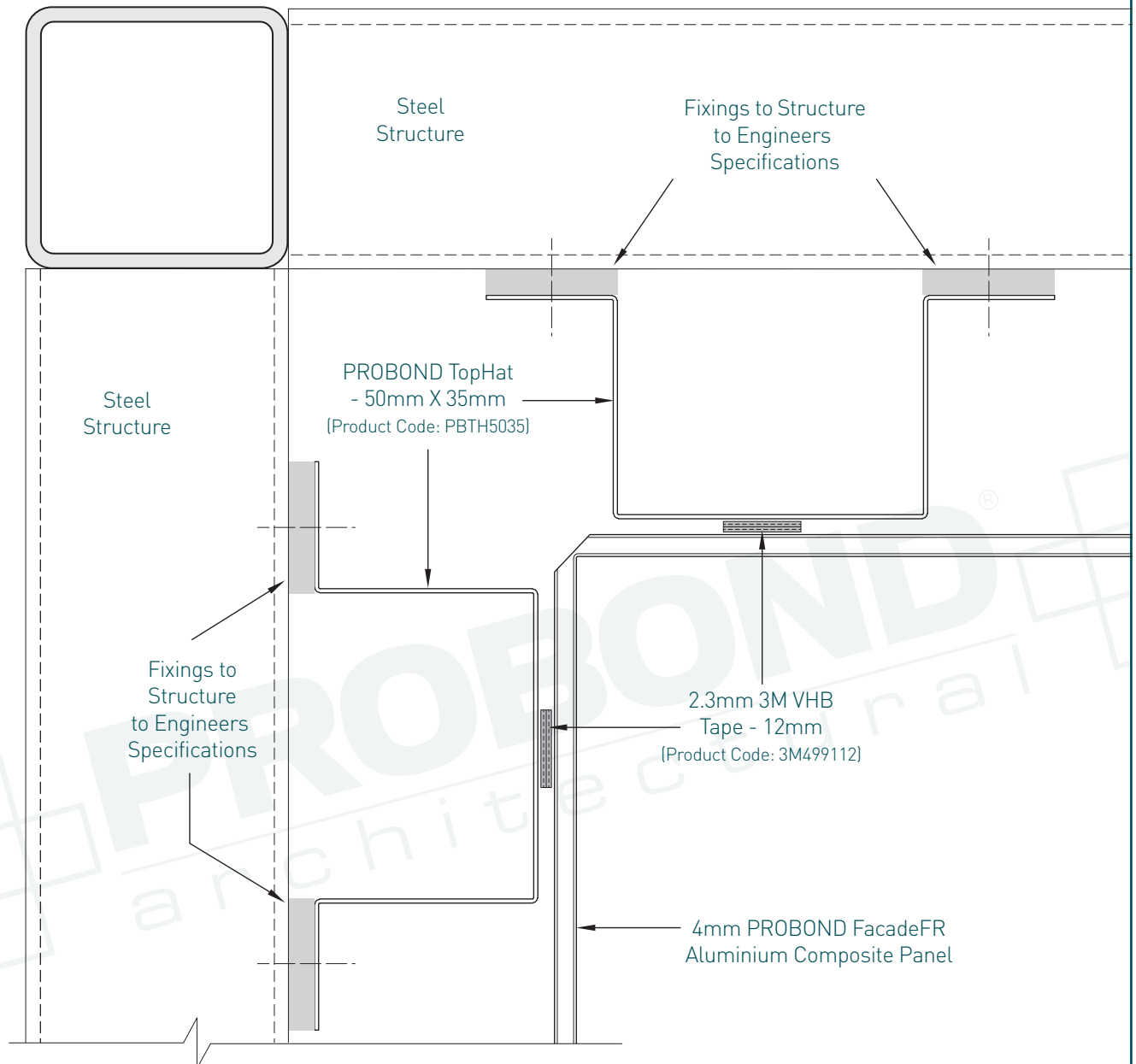
8. Wall Abutment Detail

PROFIX CONCEALED FLAT STICK INSTALLATION SYSTEM



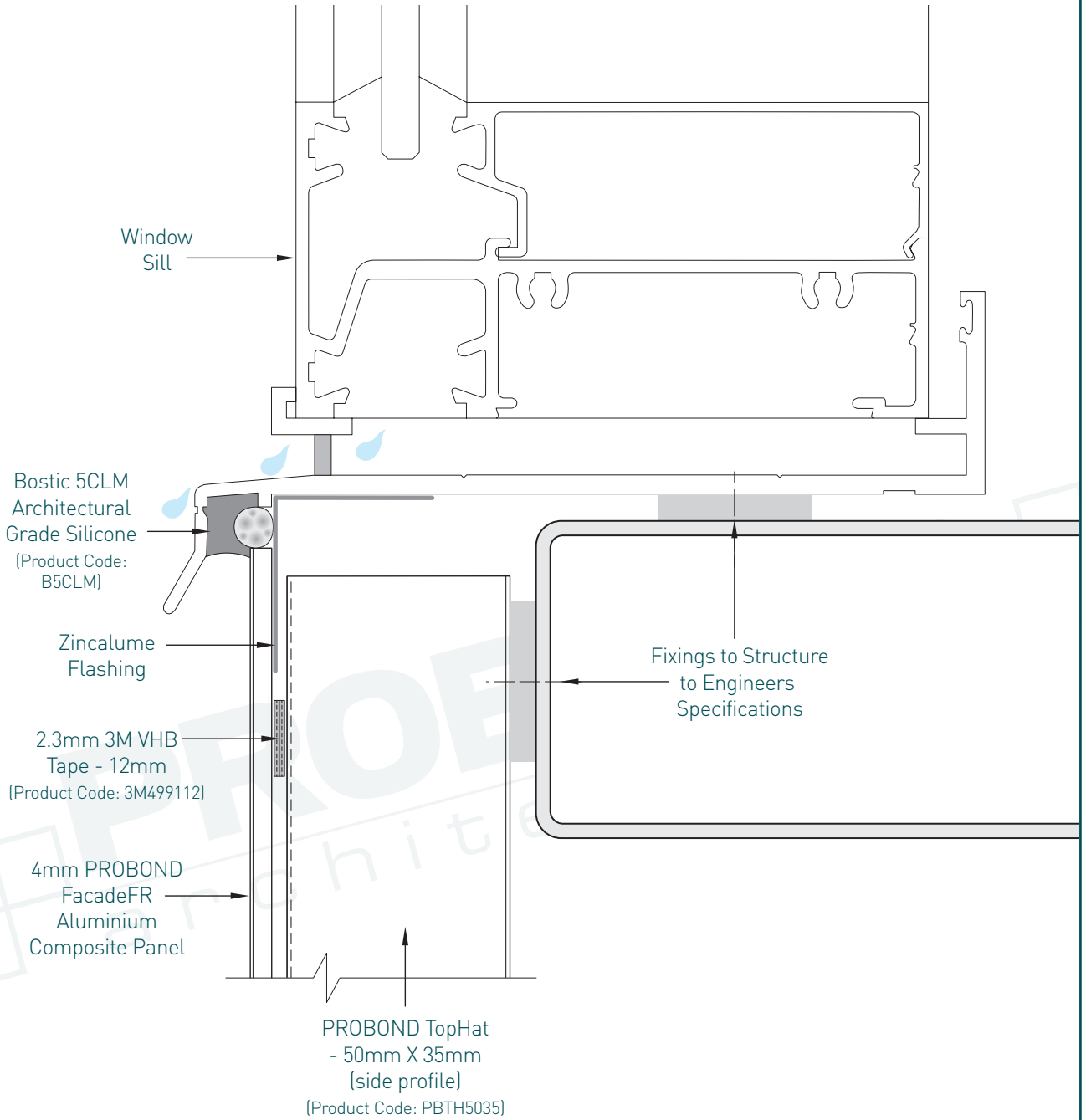
9. External Corner Detail

PROFIX CONCEALED FLAT STICK INSTALLATION SYSTEM



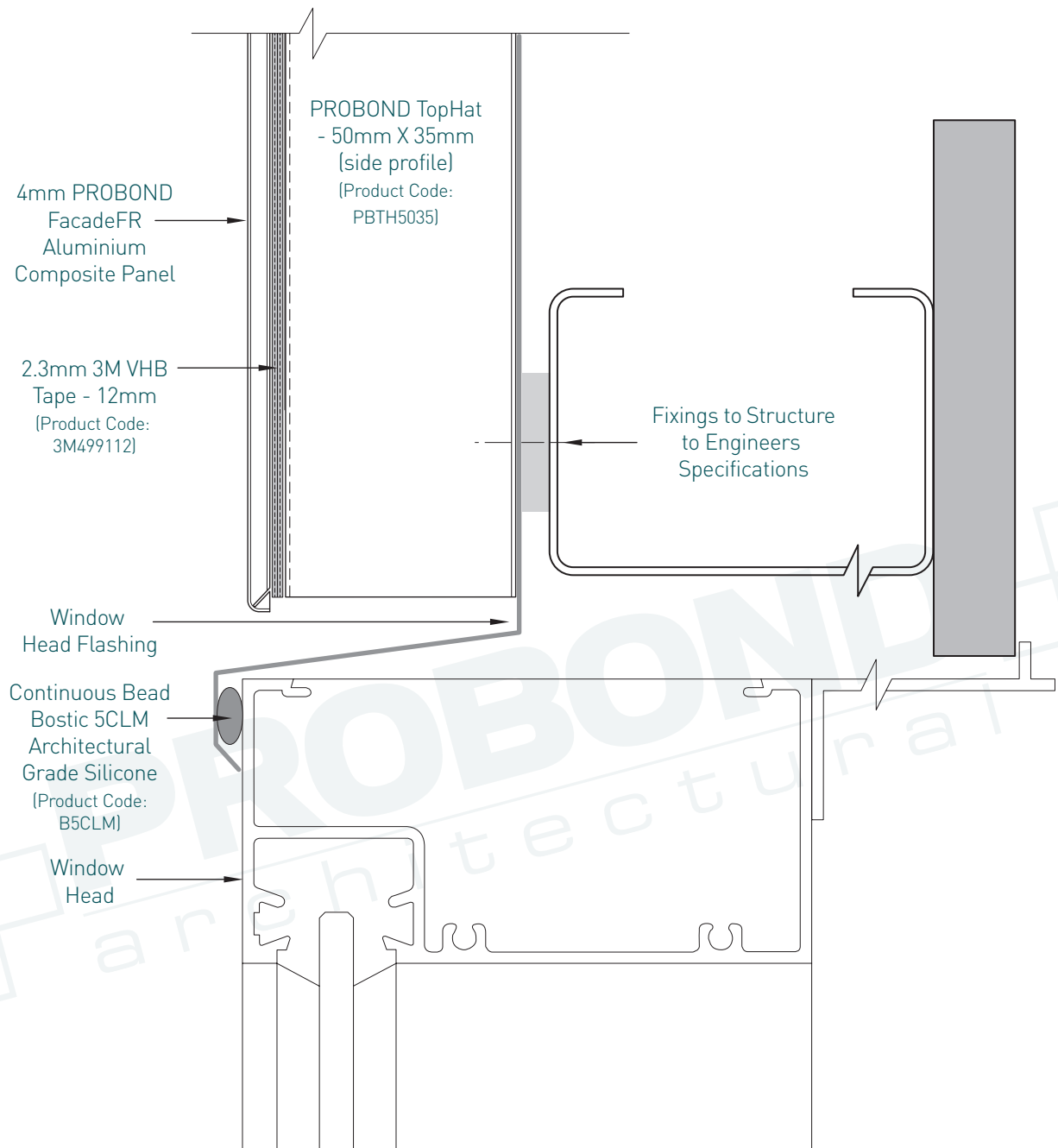
10. Internal Corner Detail

PROFIX CONCEALED FLAT STICK INSTALLATION SYSTEM



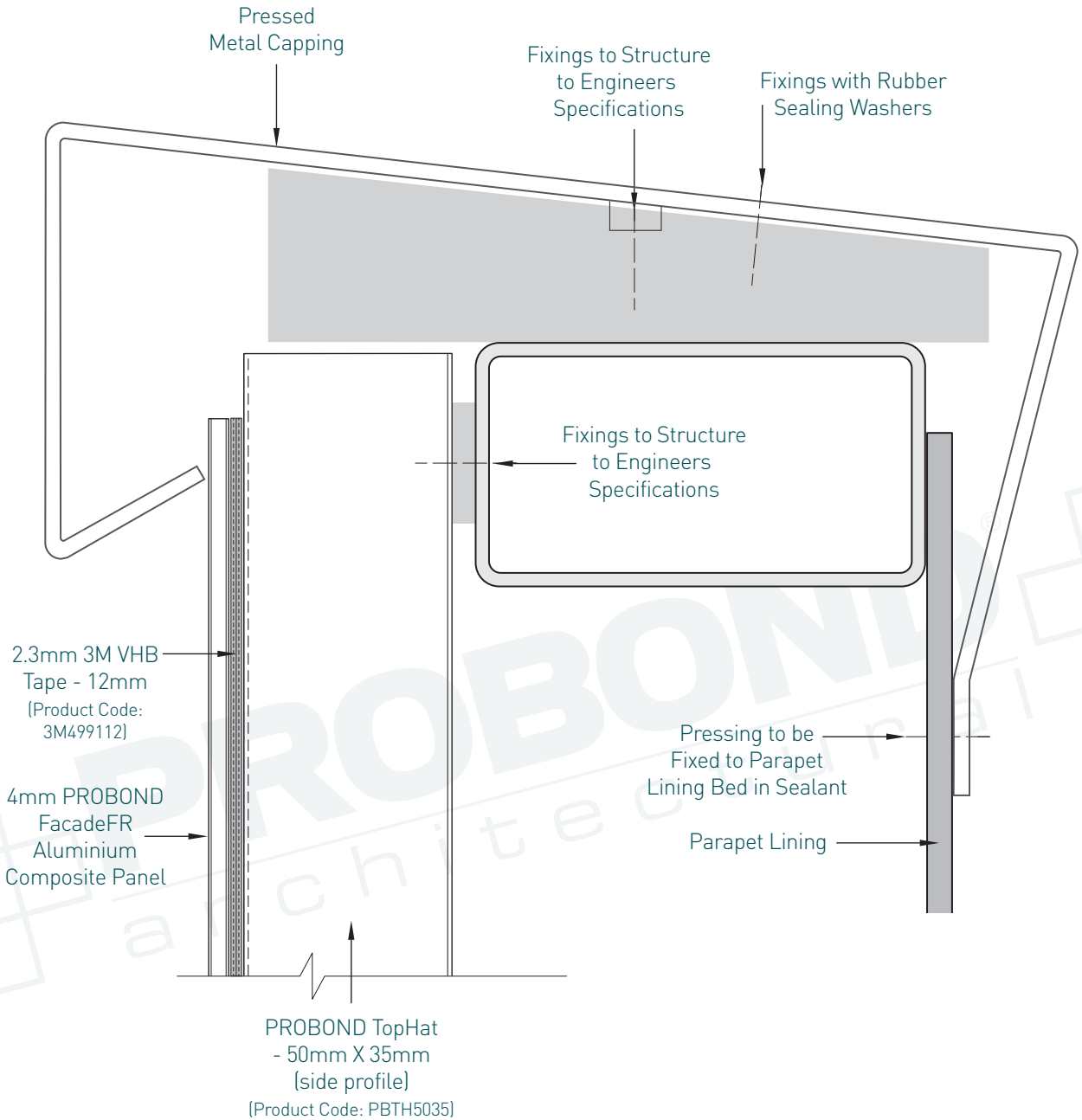
11. Window Sill Detail

PROFIX CONCEALED FLAT STICK INSTALLATION SYSTEM



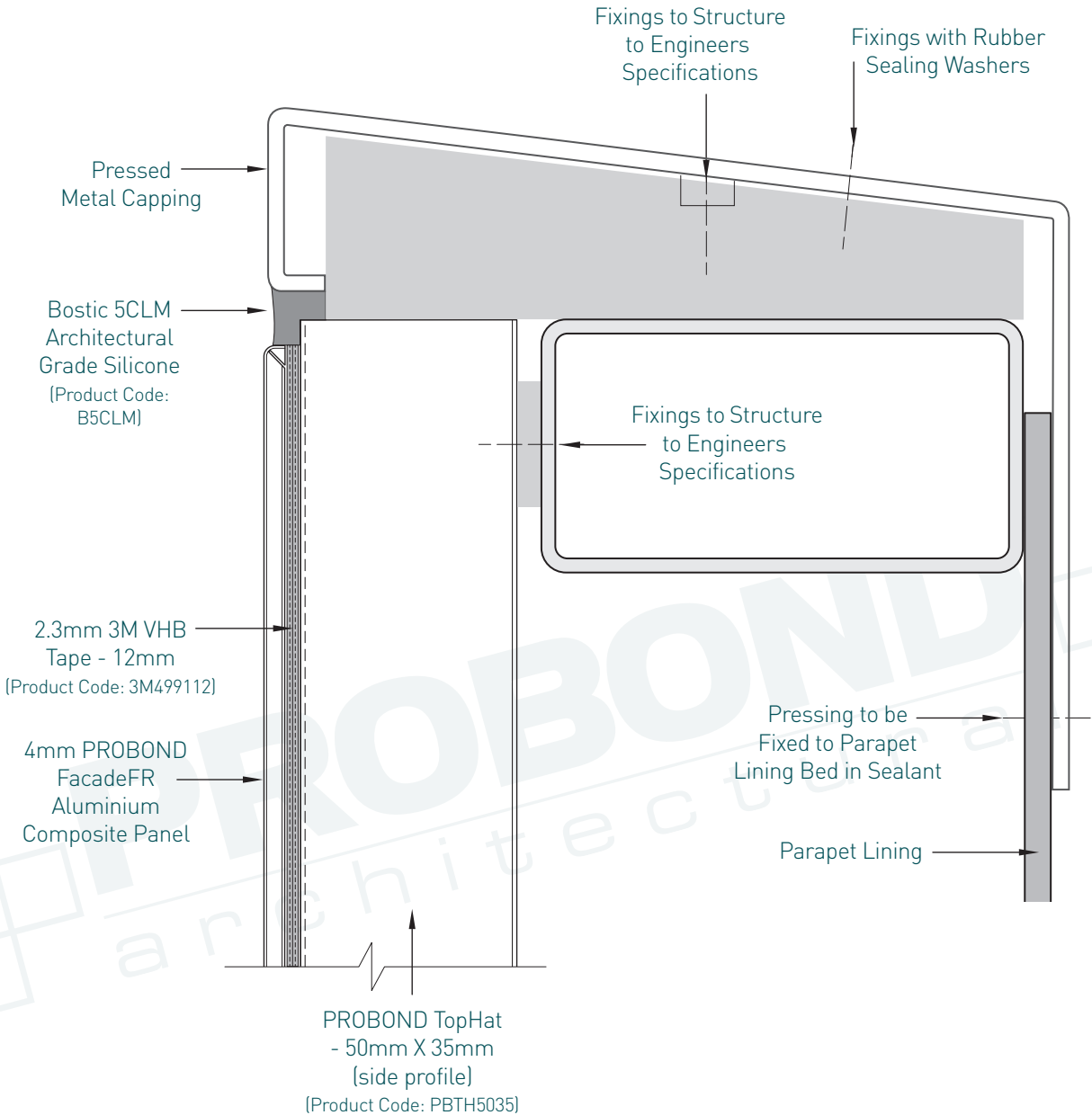
12. Window Head Detail

PROFIX CONCEALED FLAT STICK INSTALLATION SYSTEM



13. Parapet Capping Detail -1

PROFIX CONCEALED FLAT STICK INSTALLATION SYSTEM



14. Parapet Capping Detail - 2