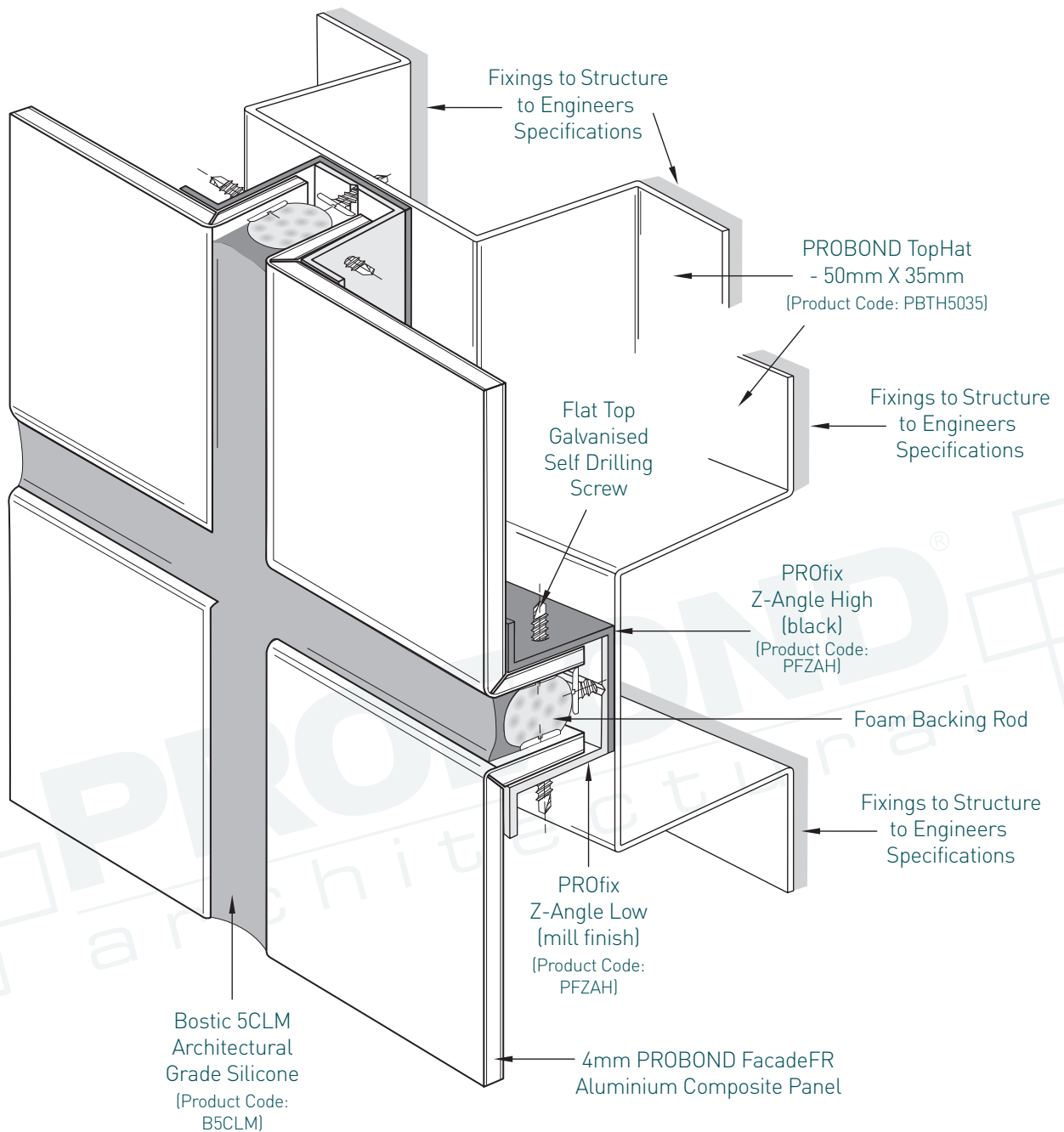
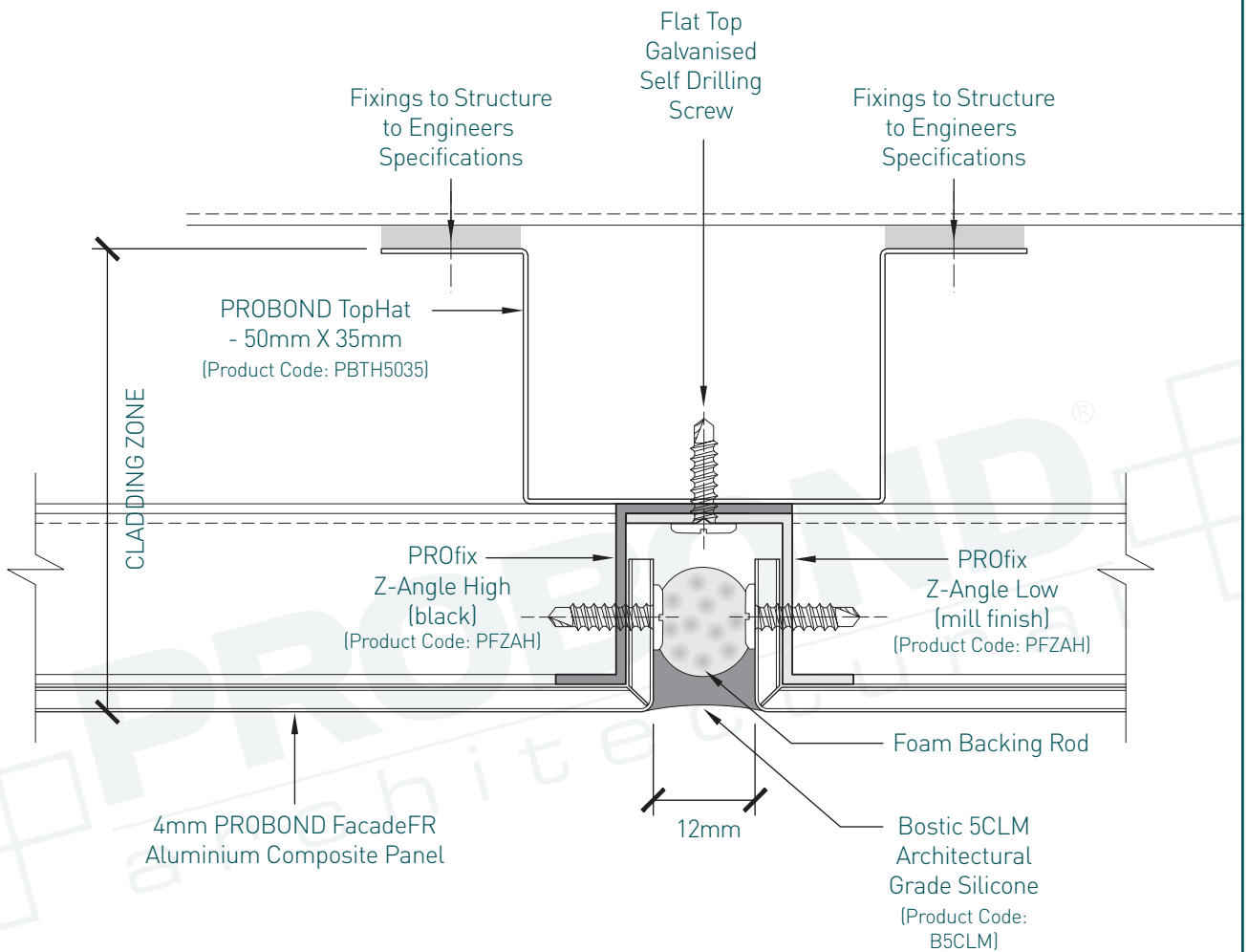


PROFIX CASSETTE INSTALLATION - PROBOND FACADE FR



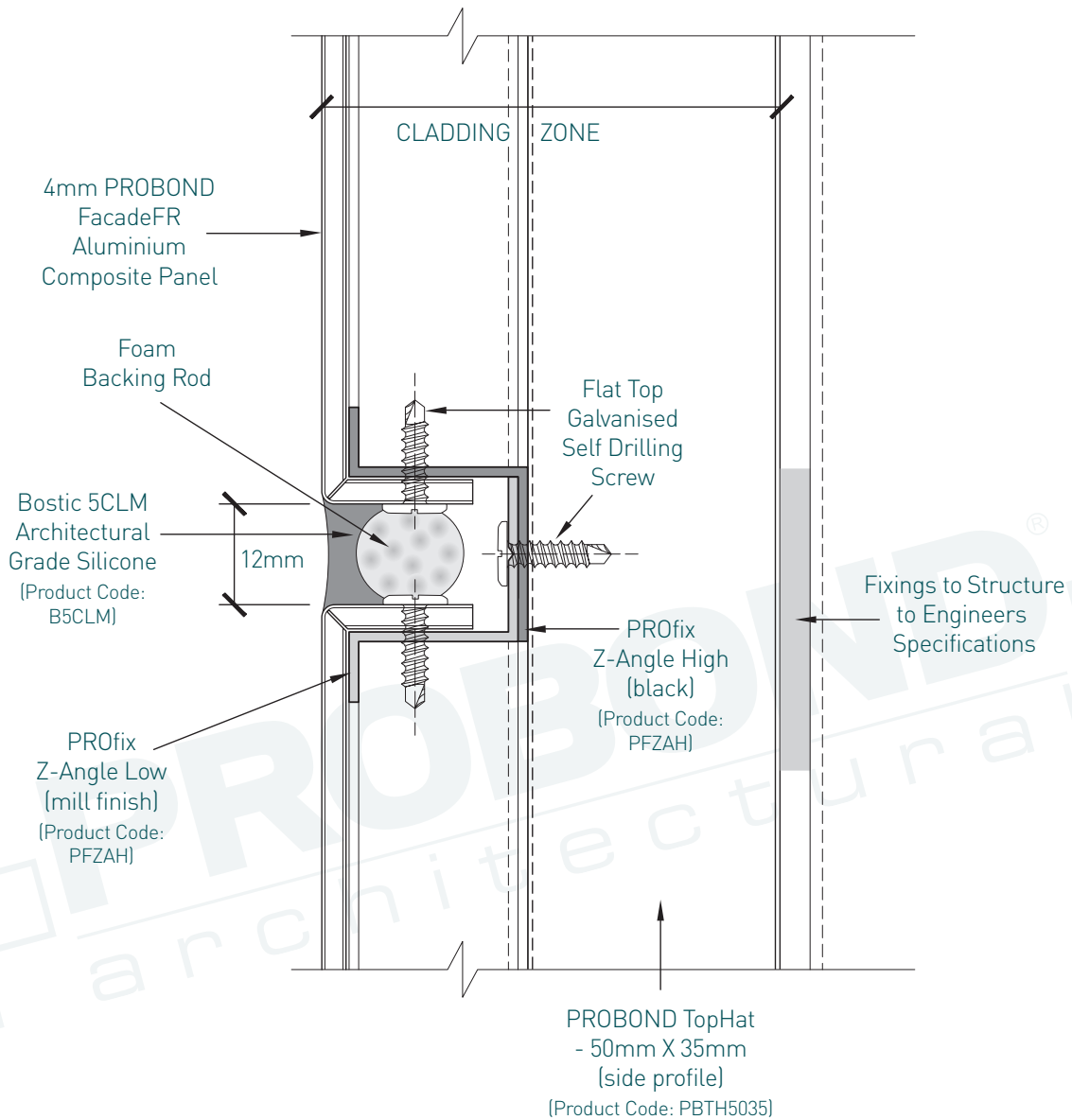
1. Face Detail - Cassette Installation

PROFIX CASSETTE INSTALLATION - PROBOND FACADE FR



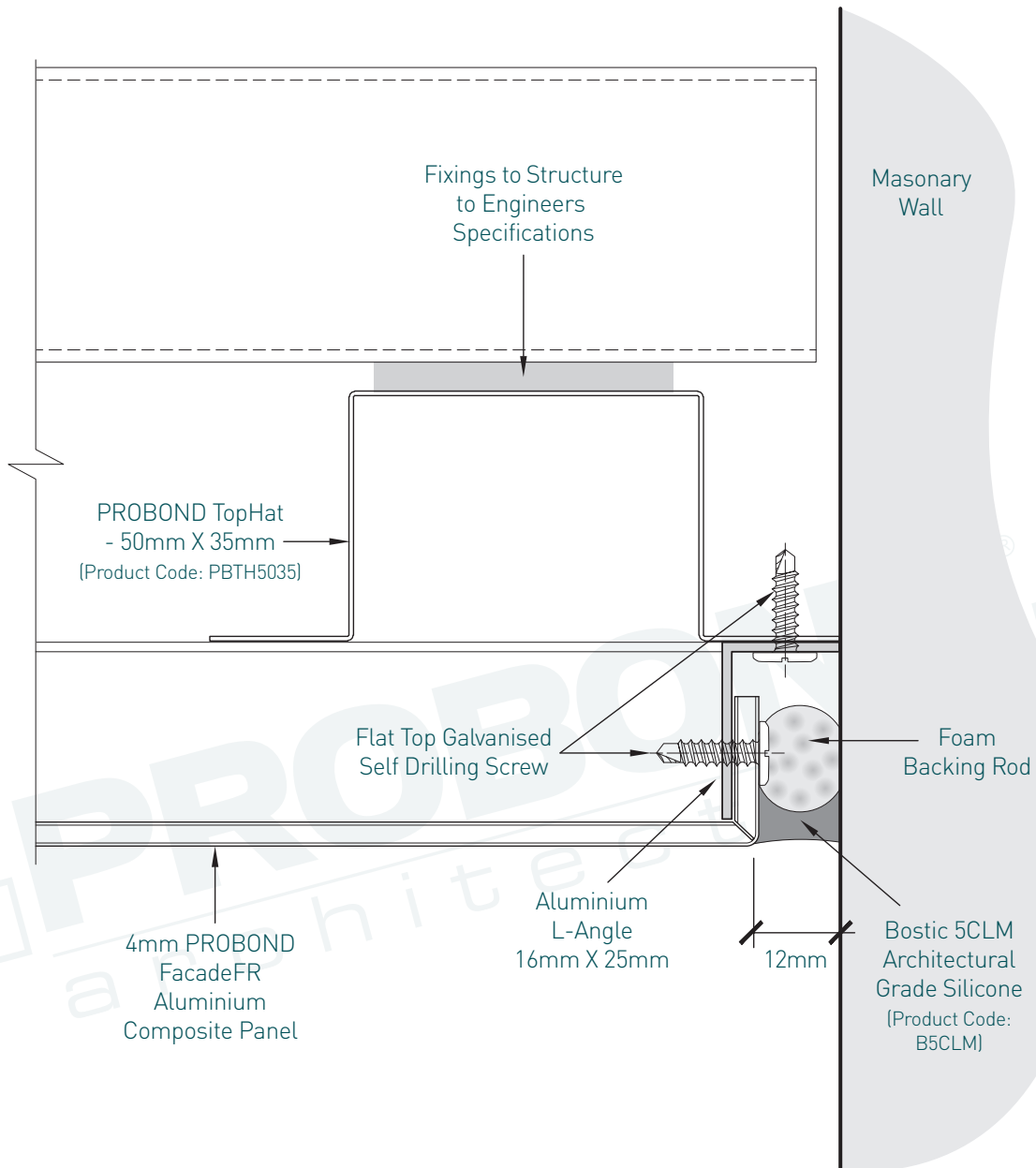
2. Typical Panel Joint Detail

PROFIX CASSETTE INSTALLATION - PROBOND FACADE FR



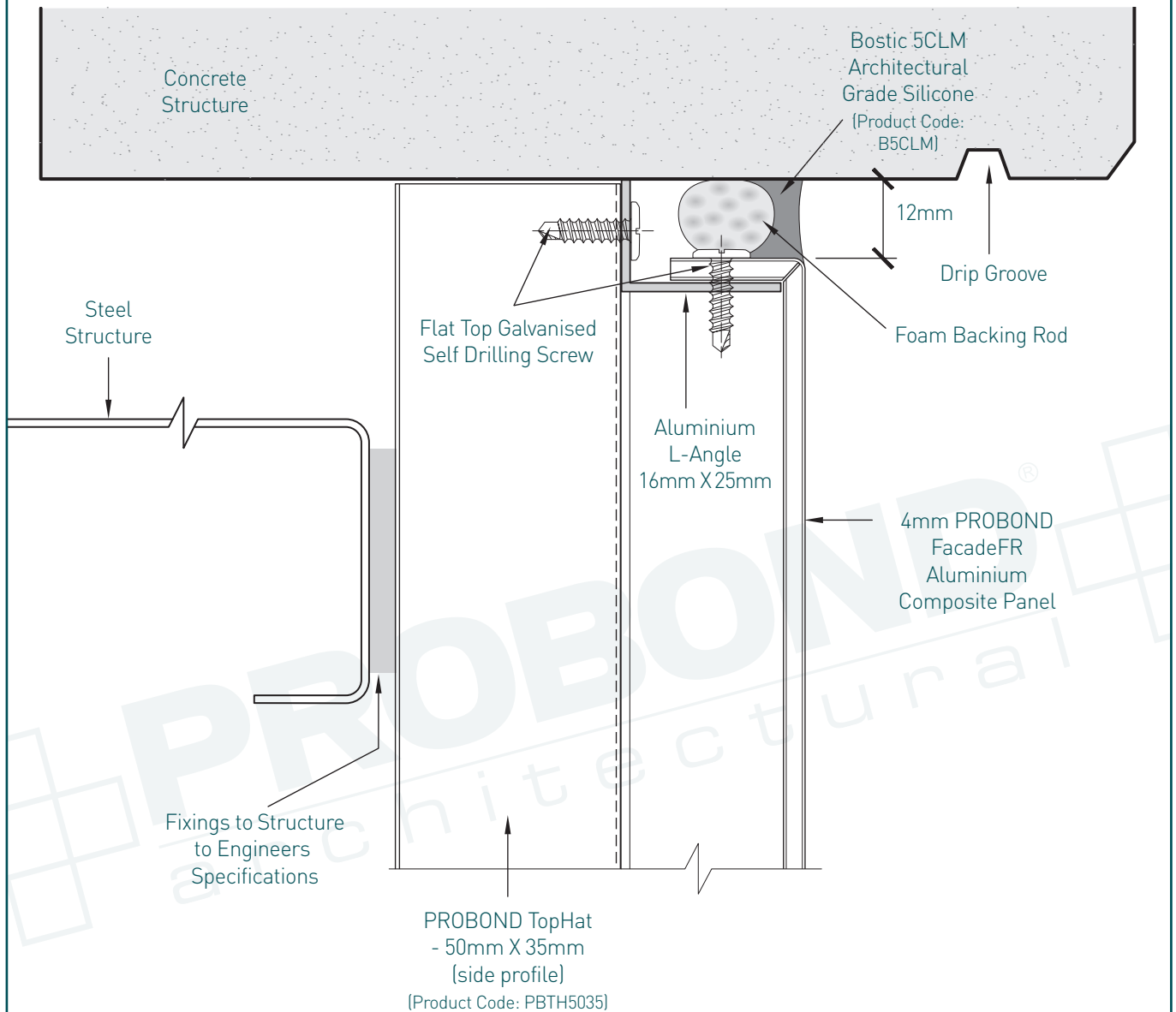
3. Horizontal Joint Detail

PROFIX CASSETTE INSTALLATION - PROBOND FACADE FR



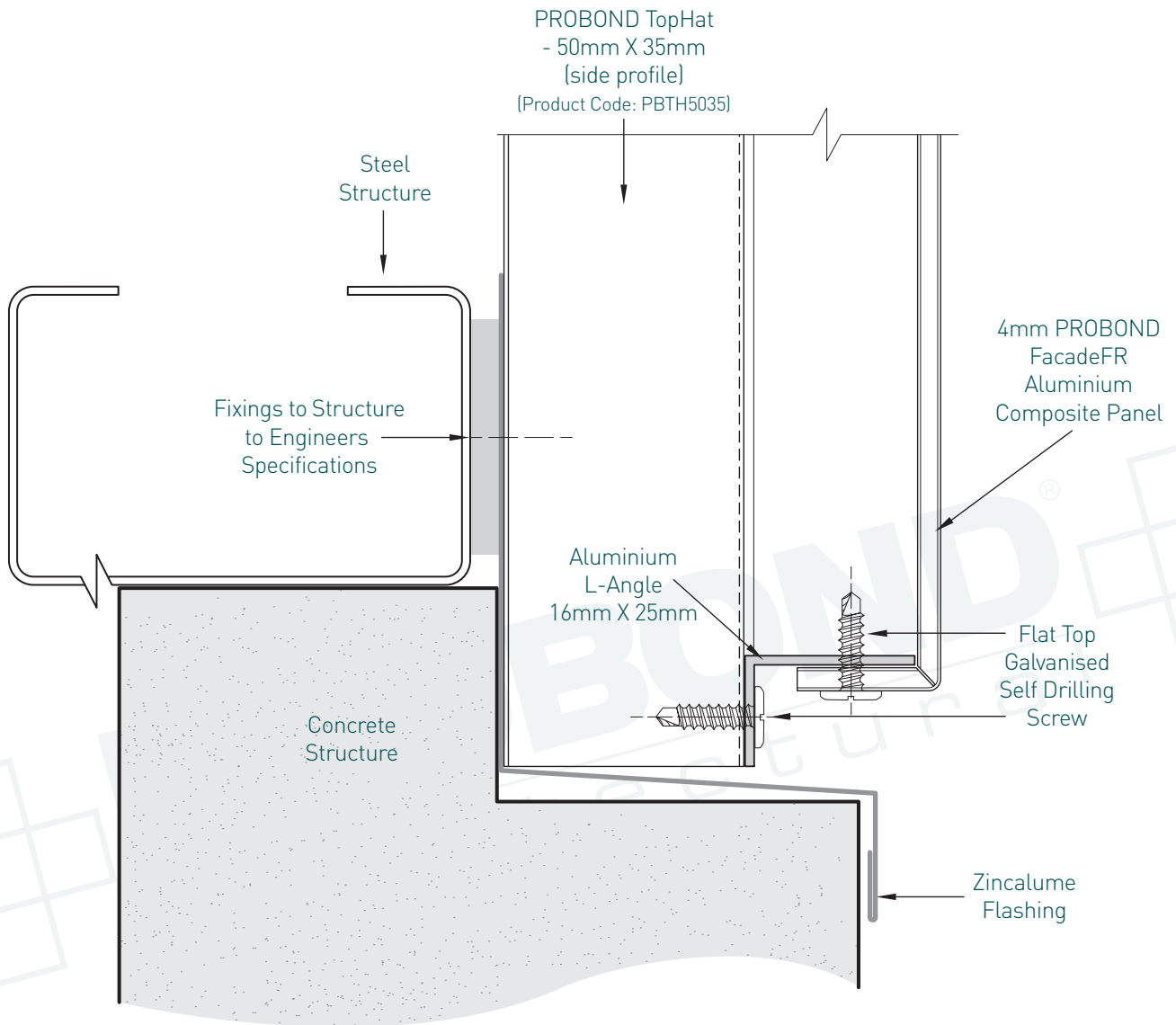
4. Detail Showing Panel at Masonry Wall

PROFIX CASSETTE INSTALLATION - PROBOND FACADE FR



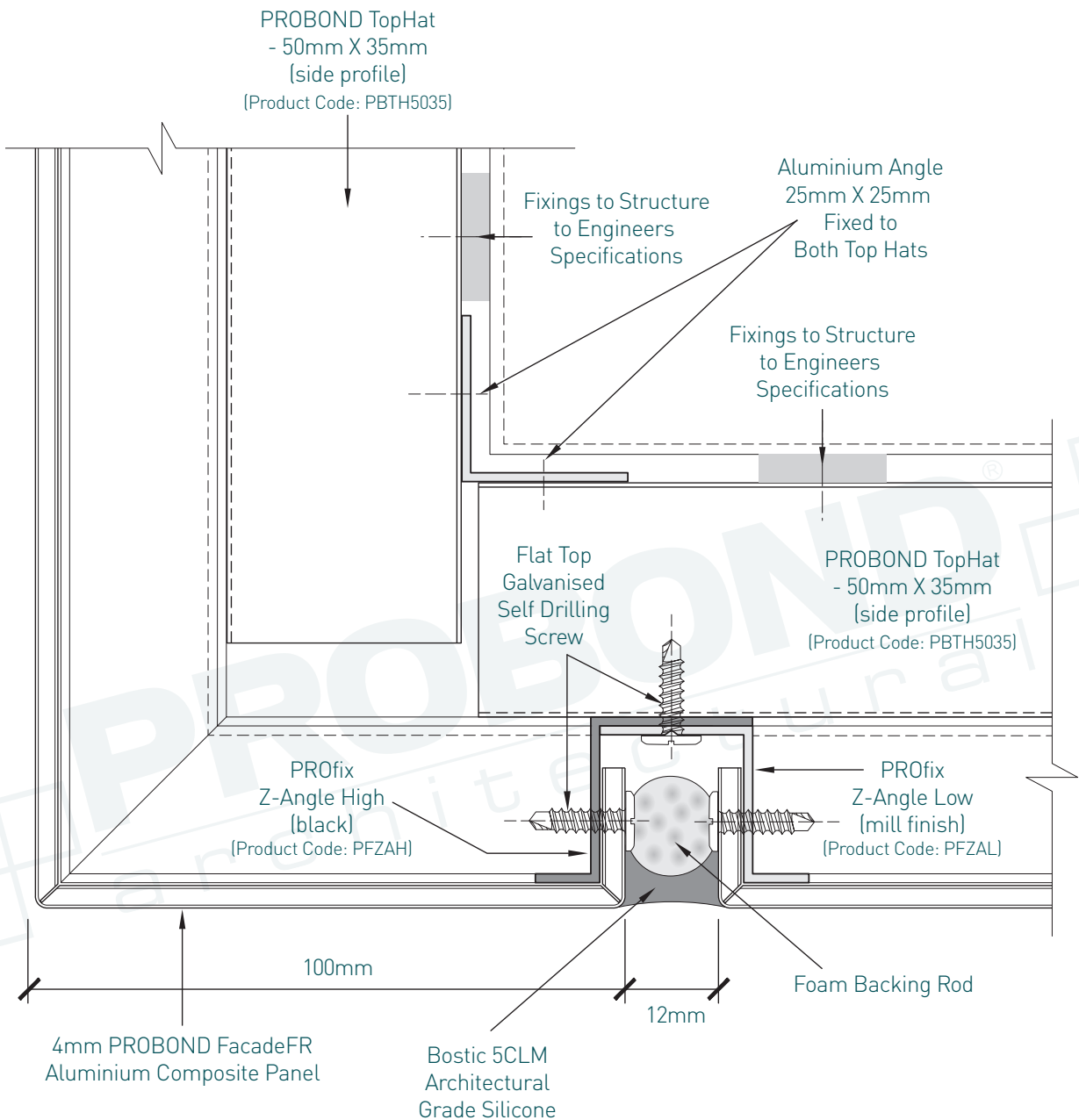
5. Detail at Slab Junction-Head

PROFIX CASSETTE INSTALLATION - PROBOND FACADE FR



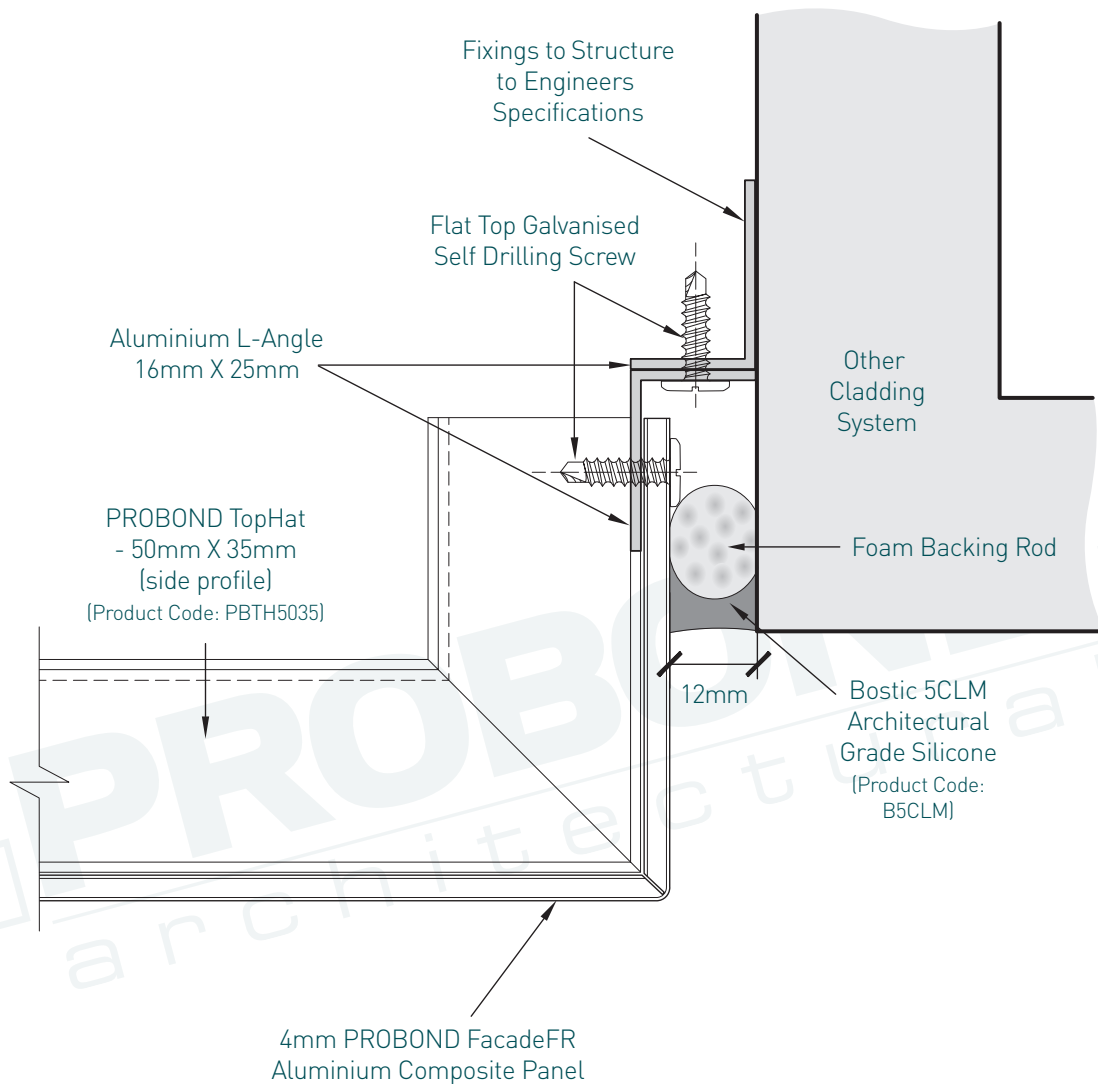
6. Detail at Slab Junction-Base

PROFIX CASSETTE INSTALLATION - PROBOND FACADE FR



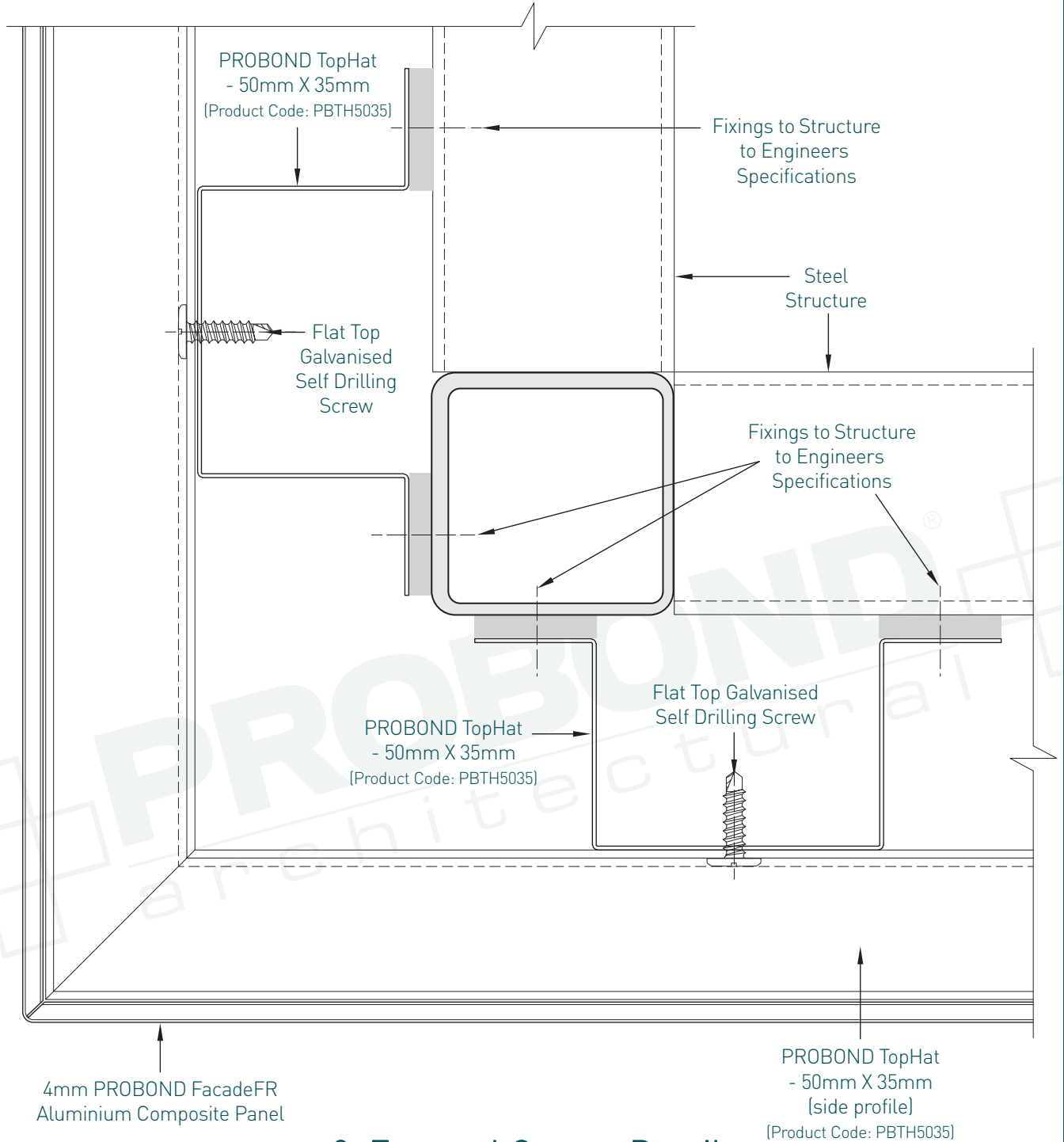
7. Detail at Soffit Junction

PROFIX CASSETTE INSTALLATION - PROBOND FACADE FR



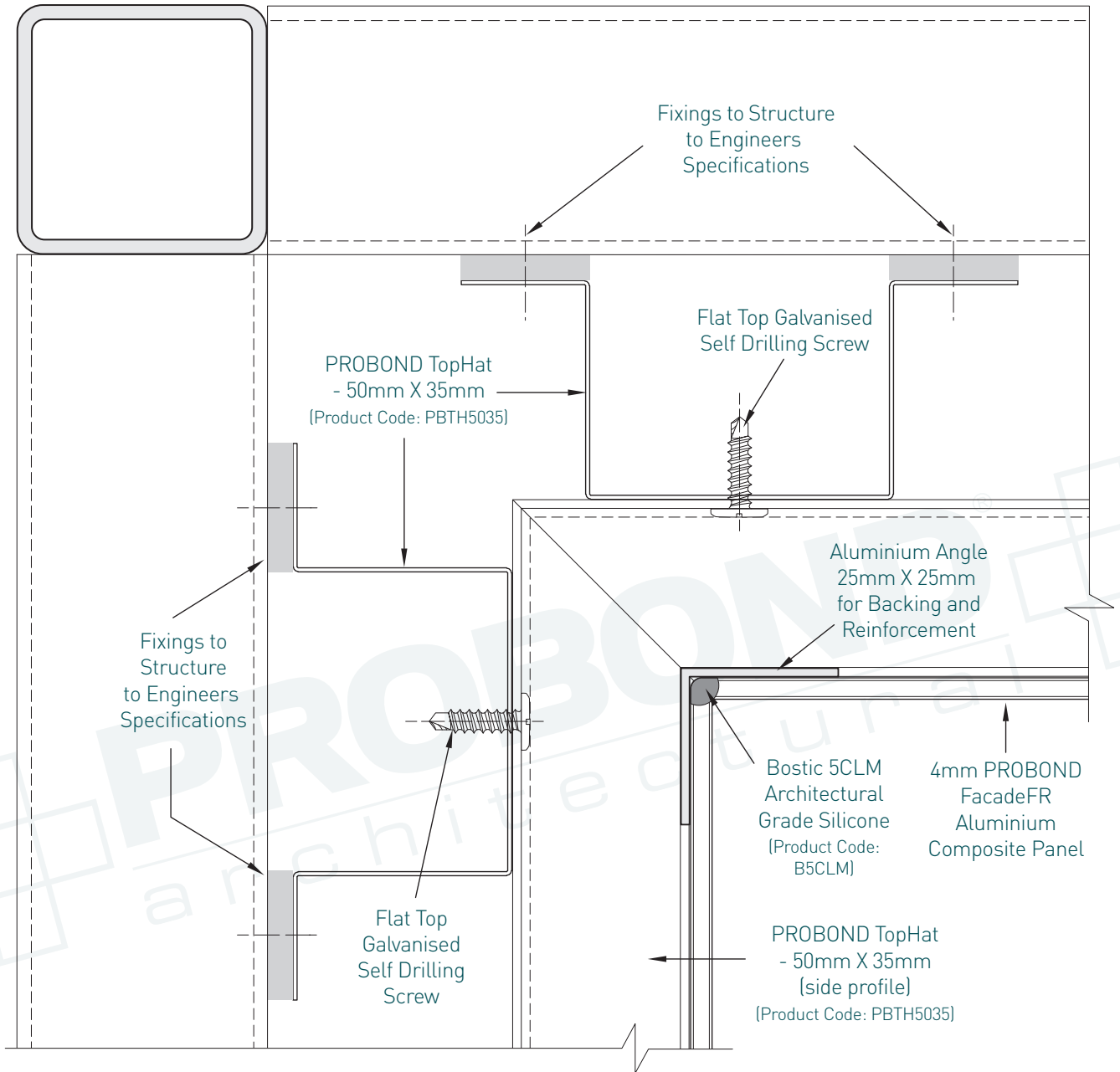
8. Wall Abutment Detail

PROFIX CASSETTE INSTALLATION - PROBOND FACADE FR



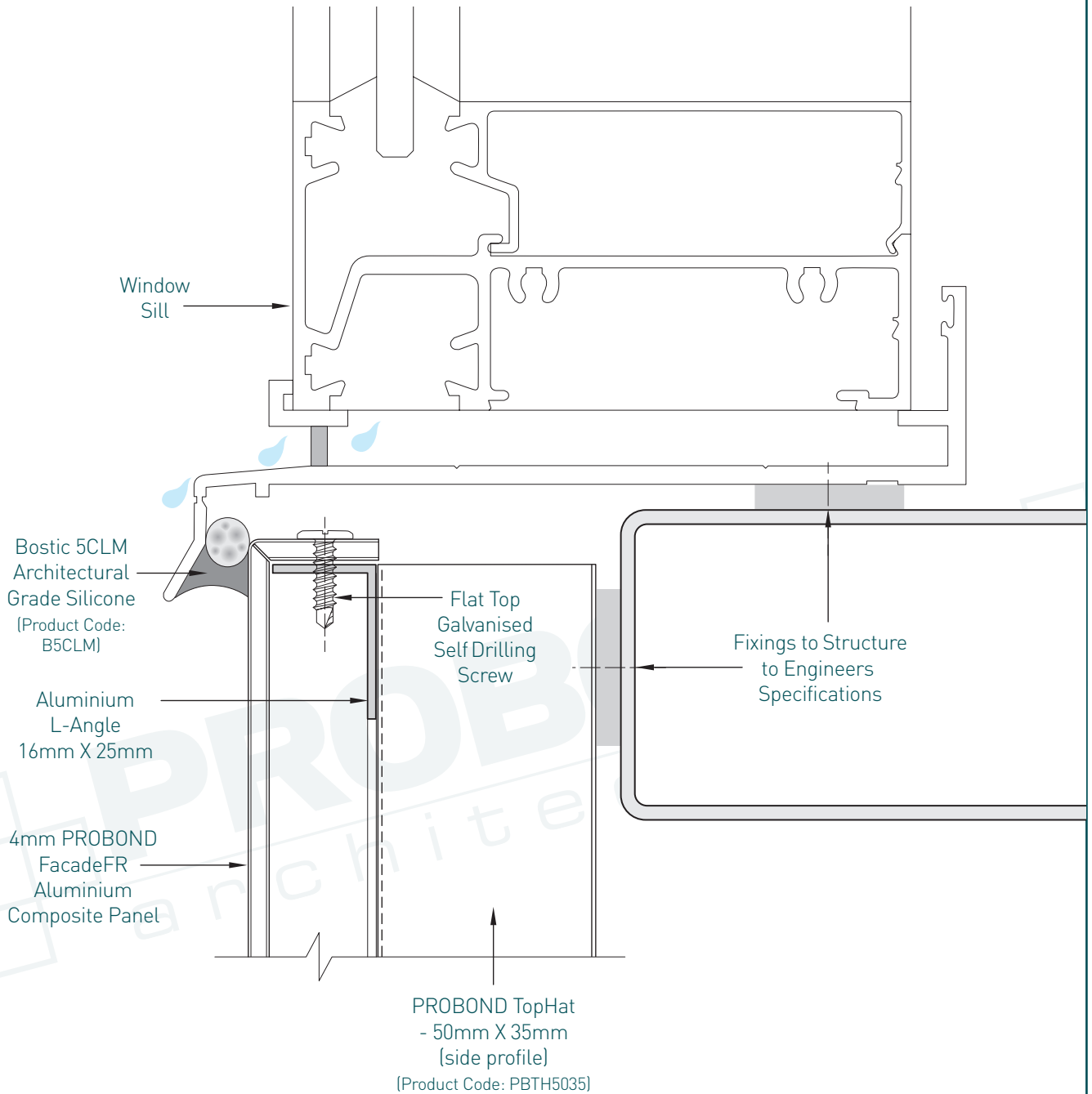
9. External Corner Detail

PROFIX CASSETTE INSTALLATION - PROBOND FACADE FR



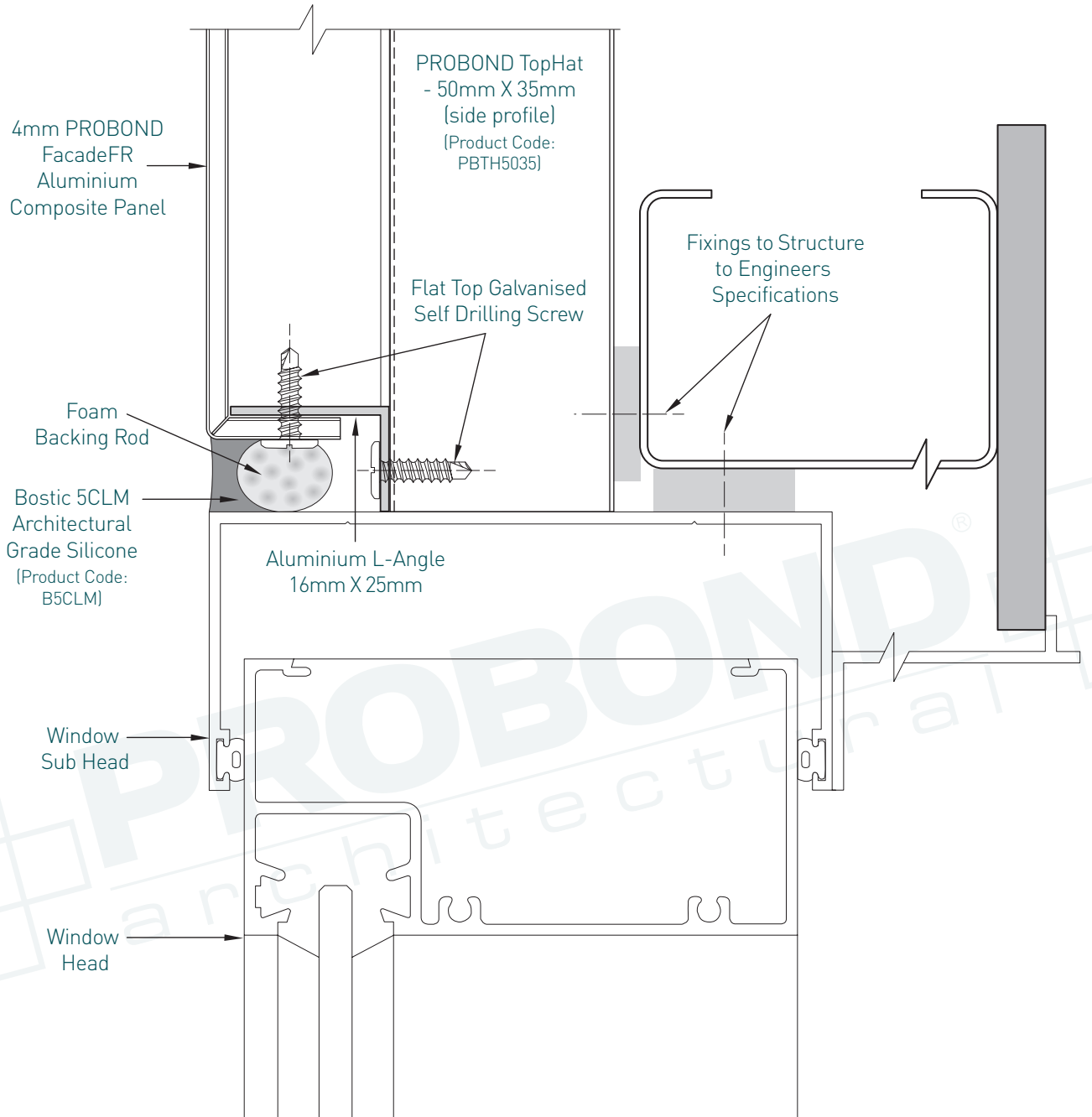
10. Internal Corner Detail

PROFIX CASSETTE INSTALLATION - PROBOND FACADE FR



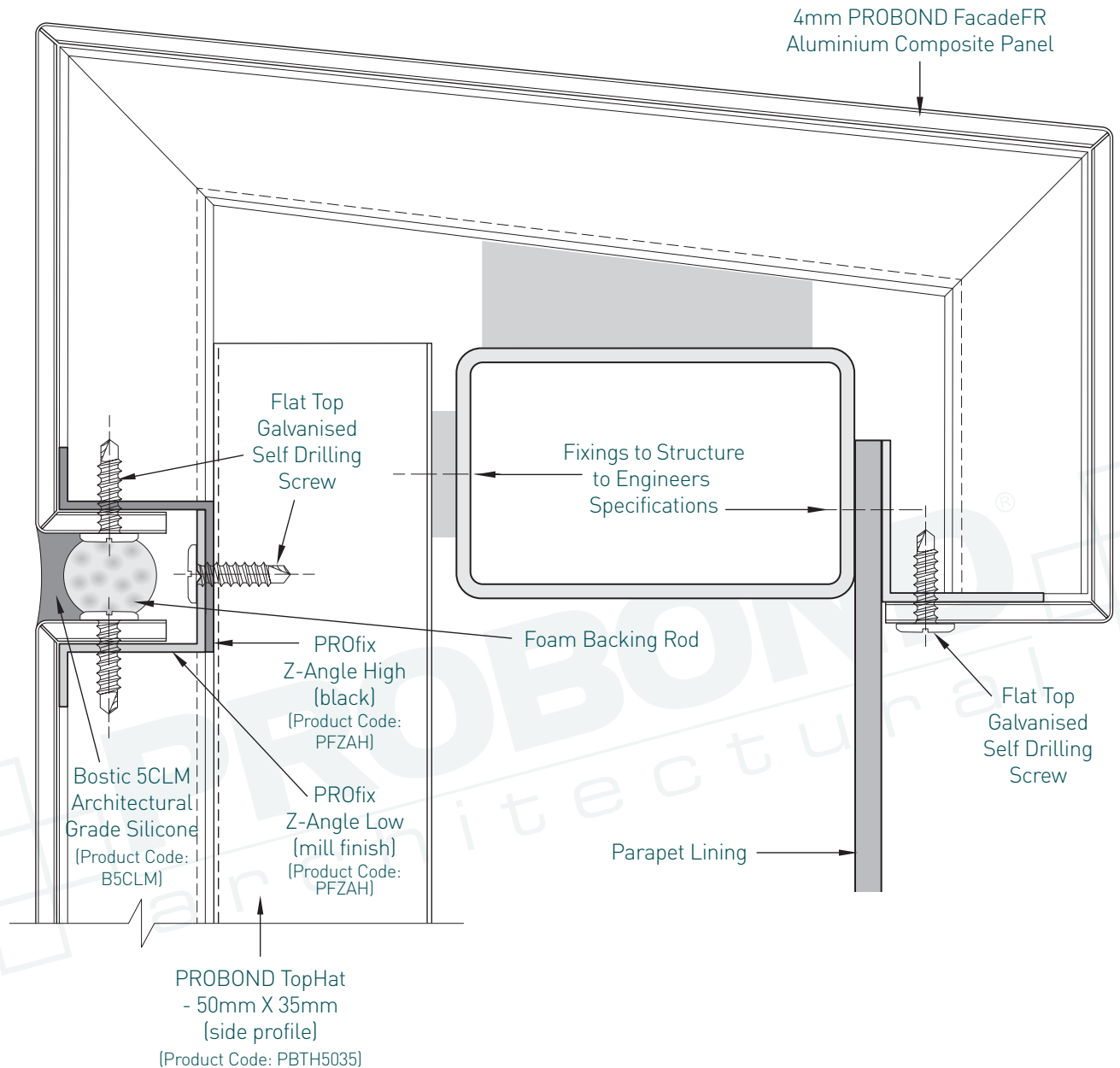
11. Window Sill Detail

PROFIX CASSETTE INSTALLATION - PROBOND FACADE FR



12. Window Head Detail

PROFIX CASSETTE INSTALLATION - PROBOND FACADE FR



13. Parapet Capping Detail