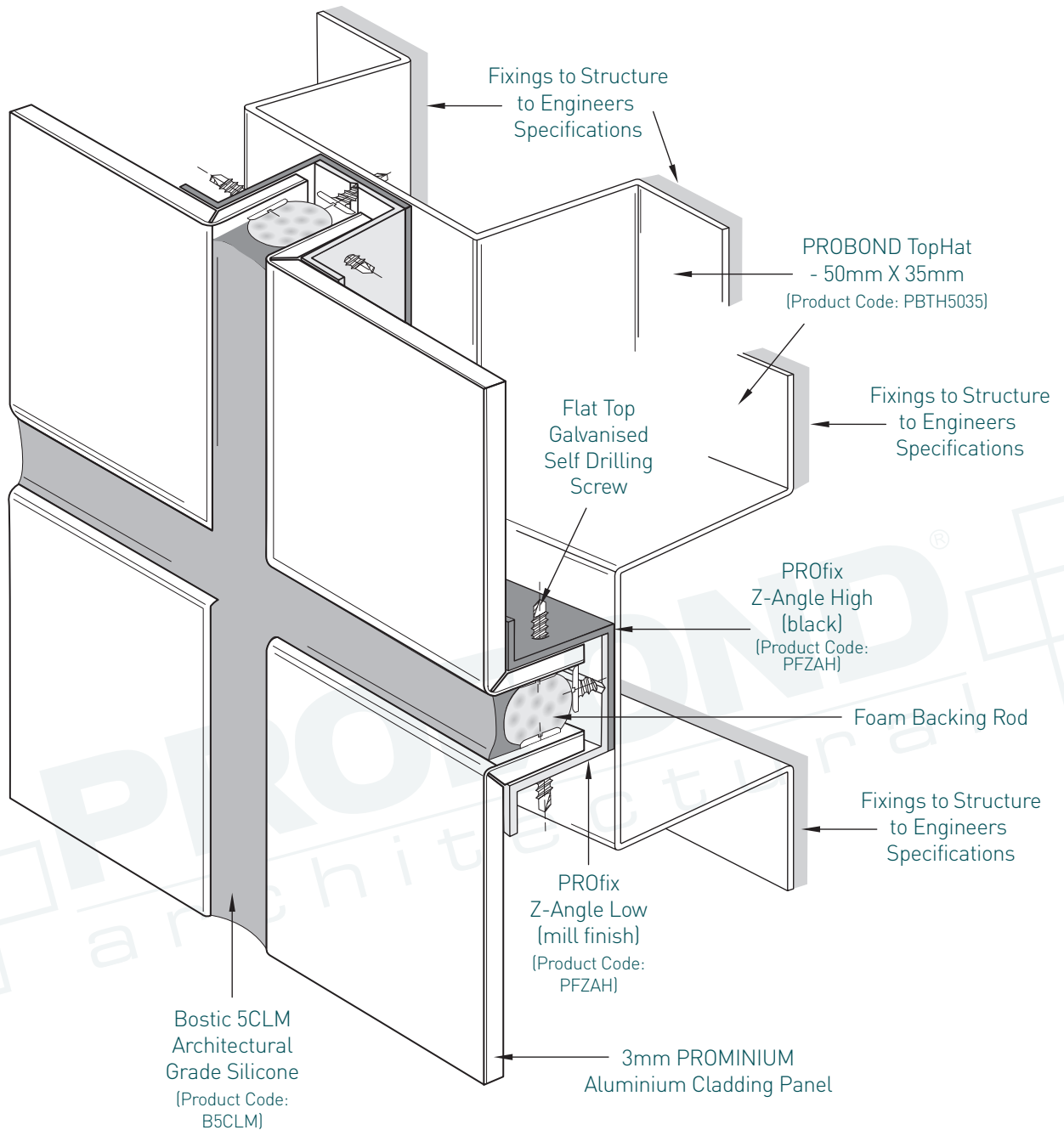
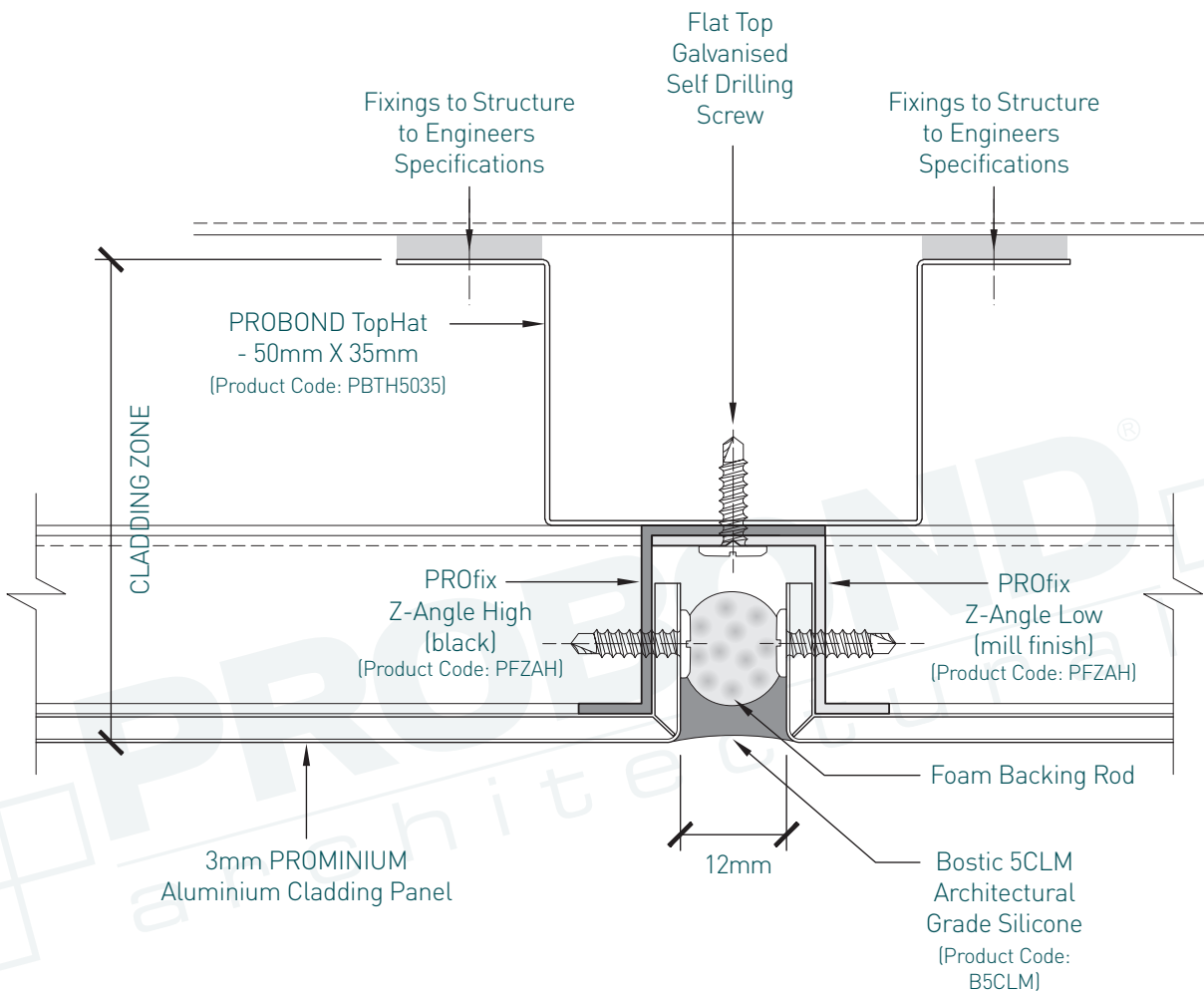


PROFIX CASSETTE INSTALLATION - PROMINIUM



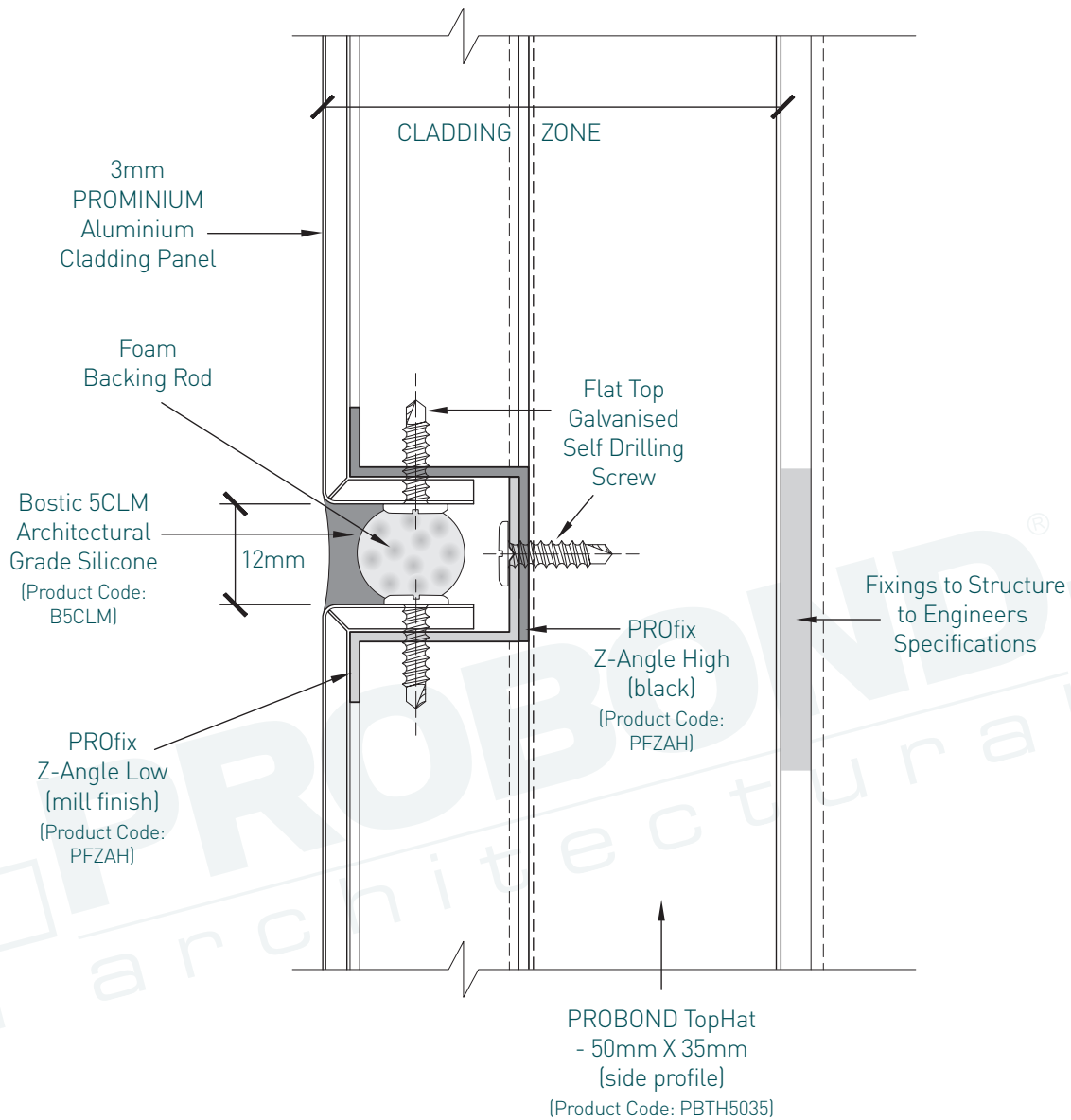
1. Face Detail - Cassette Installation

PROFIX CASSETTE INSTALLATION - PROMINIUM



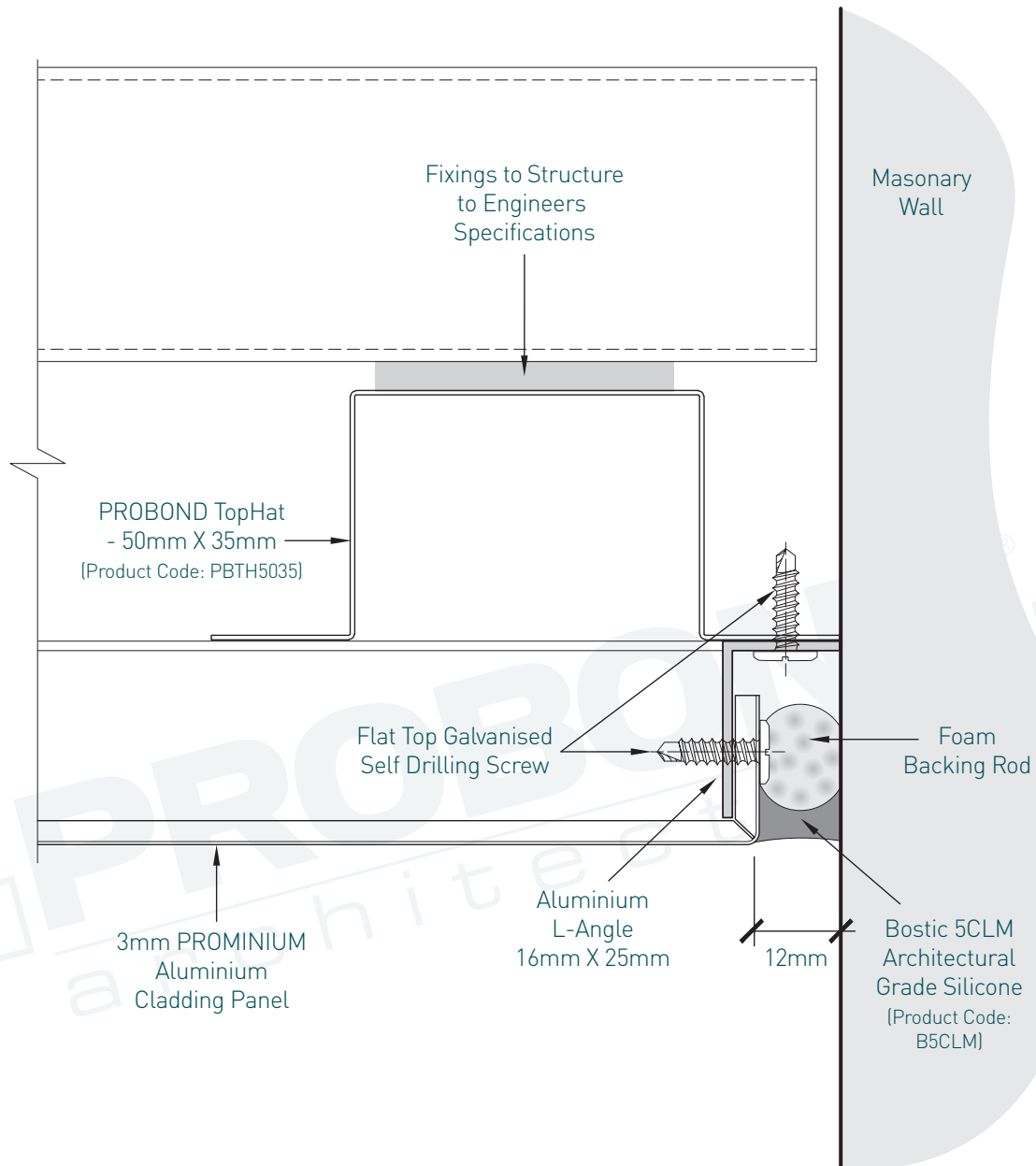
2. Typical Panel Joint Detail

PROFIX CASSETTE INSTALLATION - PROMINIUM



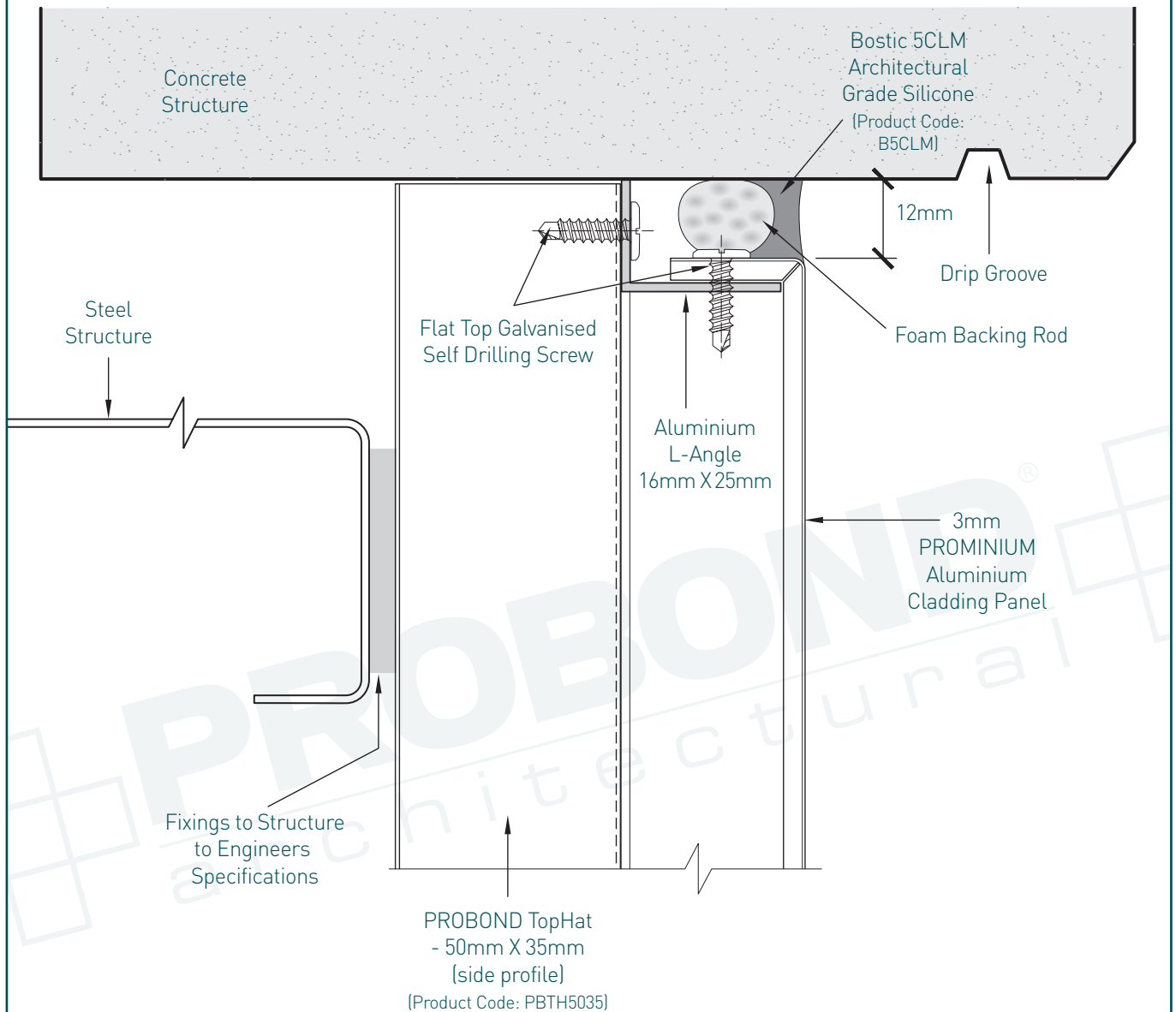
3. Horizontal Joint Detail

PROFIX CASSETTE INSTALLATION - PROMINIUM



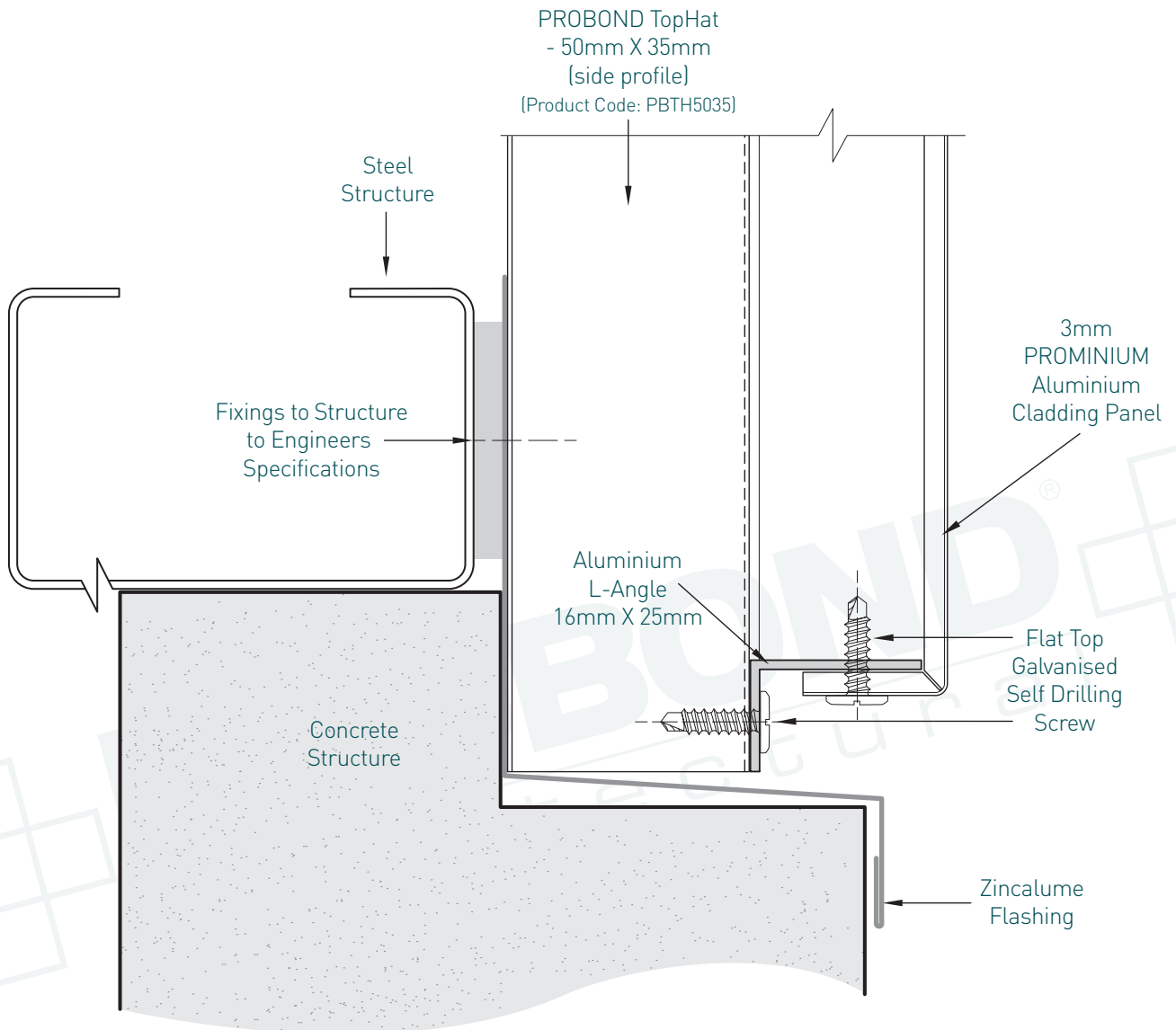
4. Detail Showing Panel at Masonry Wall

PROFIX CASSETTE INSTALLATION - PROMINIUM



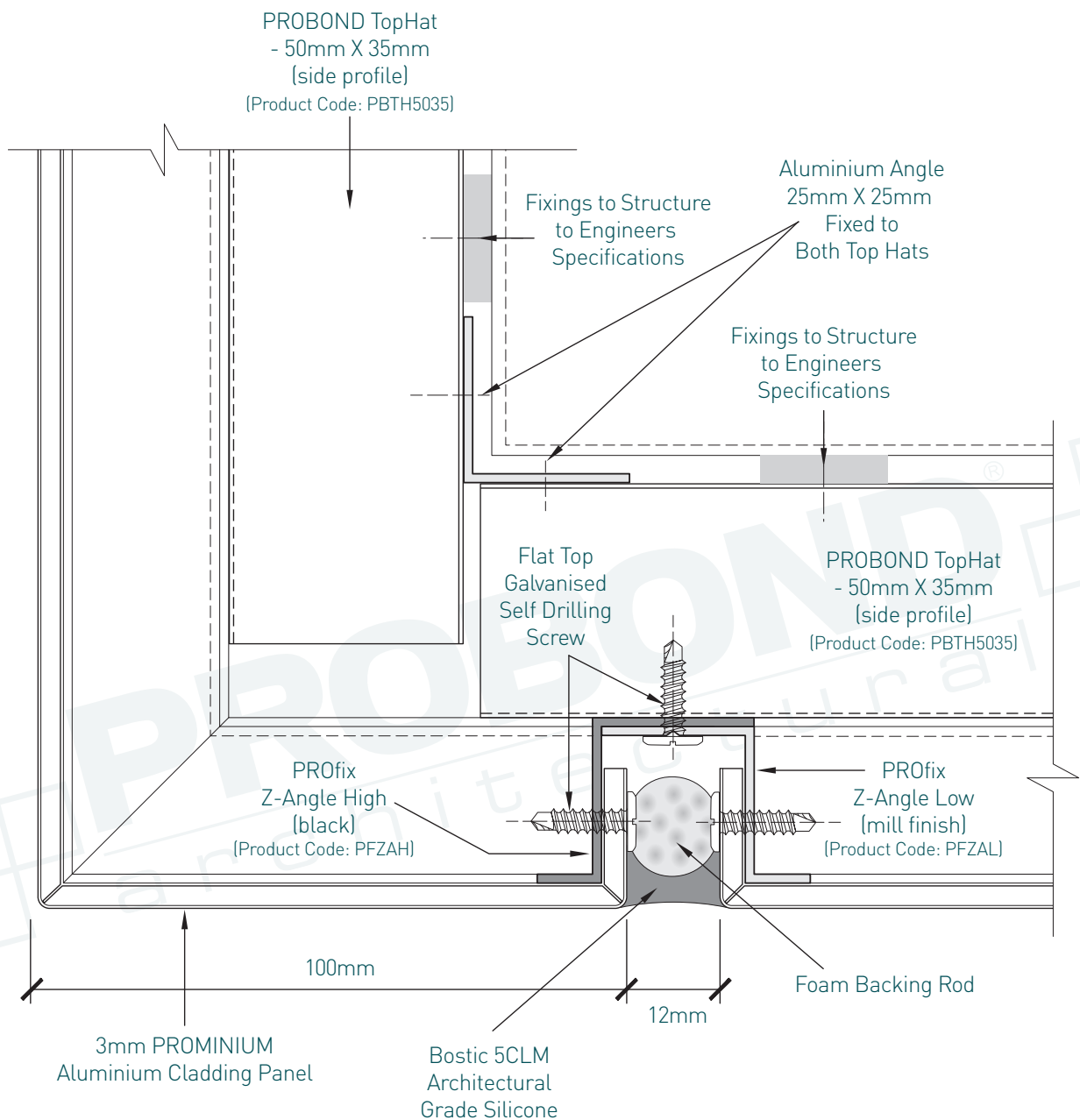
5. Detail at Slab Junction-Head

PROFIX CASSETTE INSTALLATION - PROMINIUM



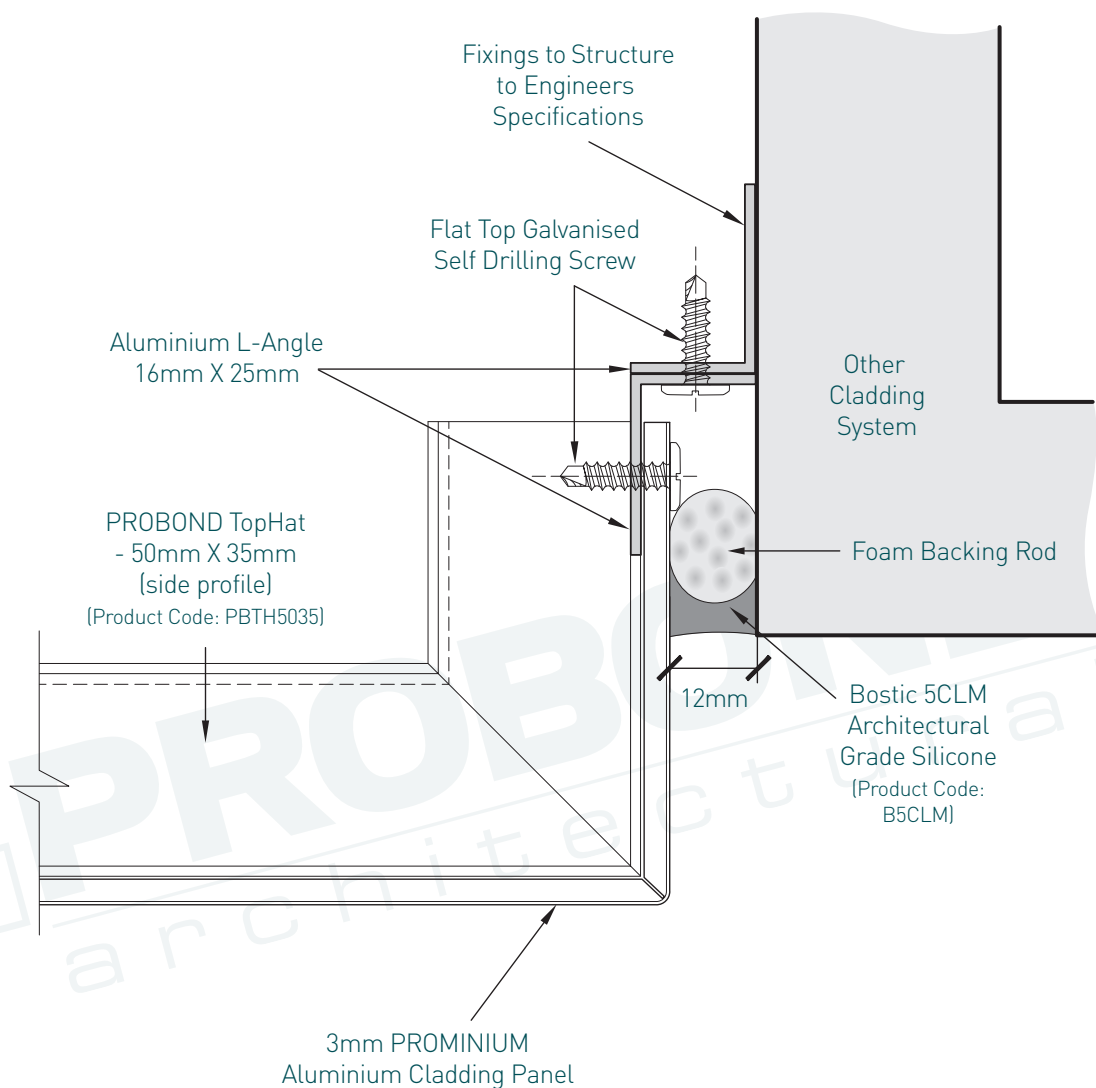
6. Detail at Slab Junction-Base

PROFIX CASSETTE INSTALLATION - PROMINIUM



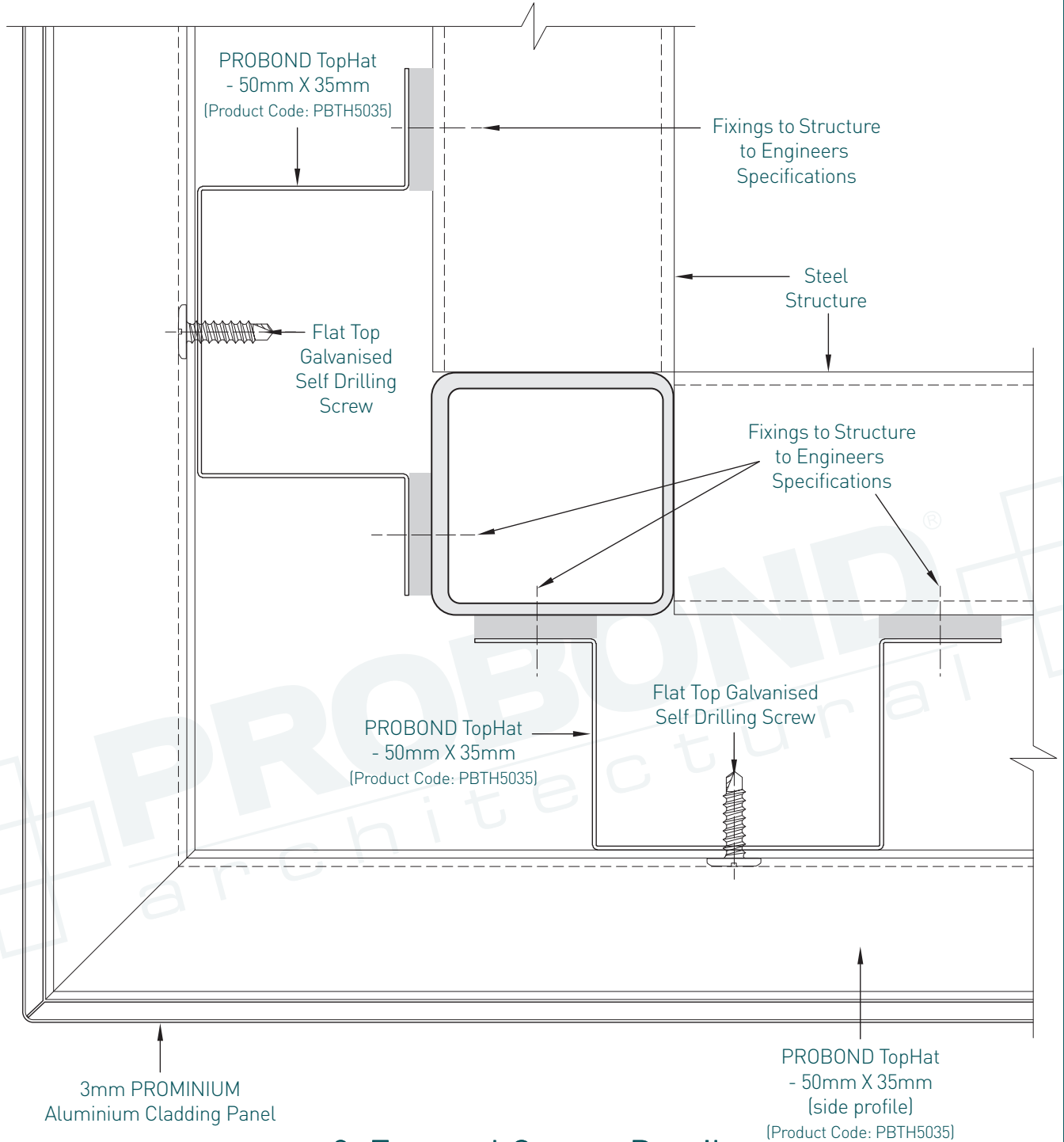
7. Detail at Soffit Junction

PROFIX CASSETTE INSTALLATION - PROMINIUM



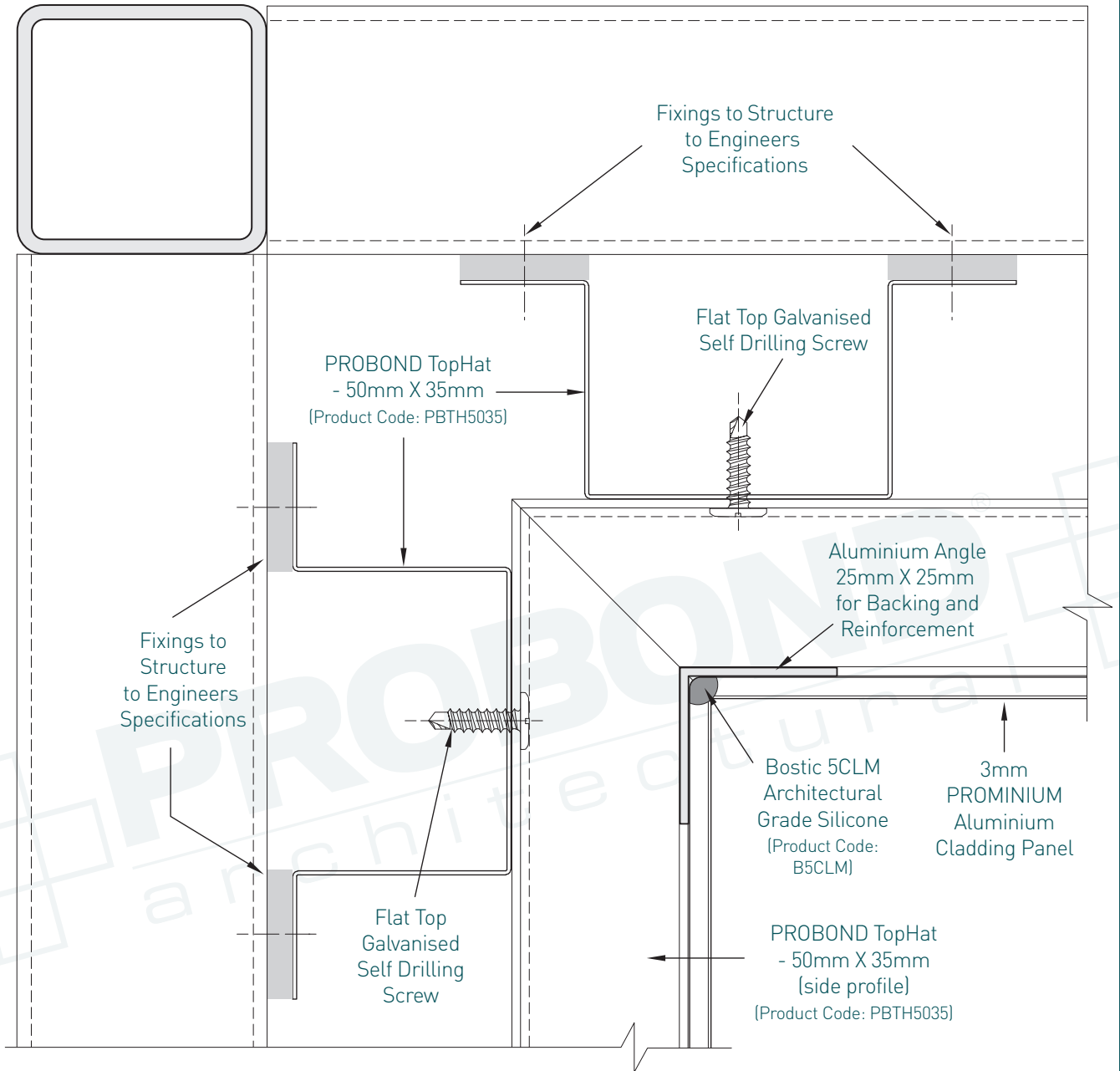
8. Wall Abutment Detail

PROFIX CASSETTE INSTALLATION - PROMINIUM



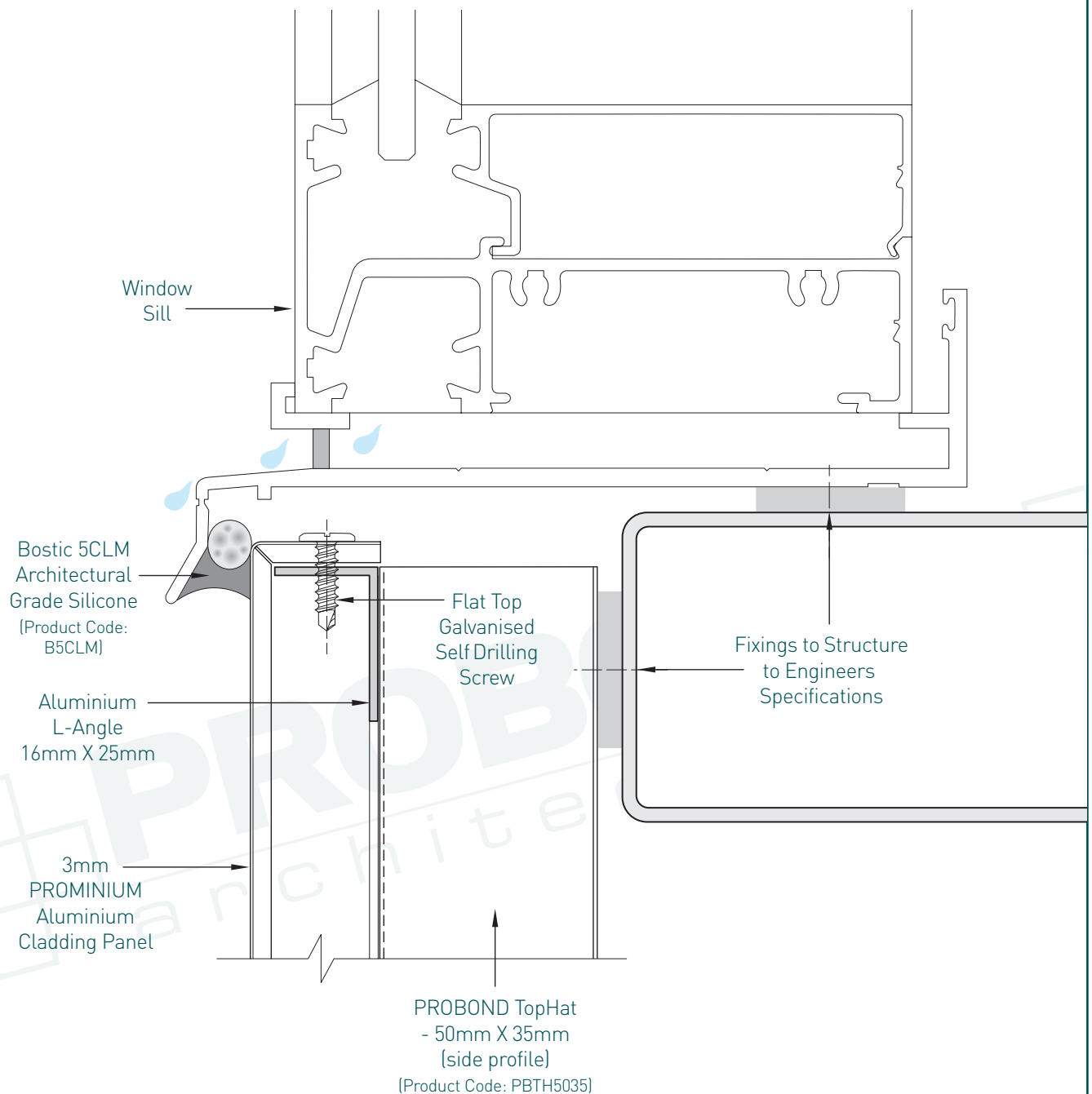
9. External Corner Detail

PROFIX CASSETTE INSTALLATION - PROMINIUM



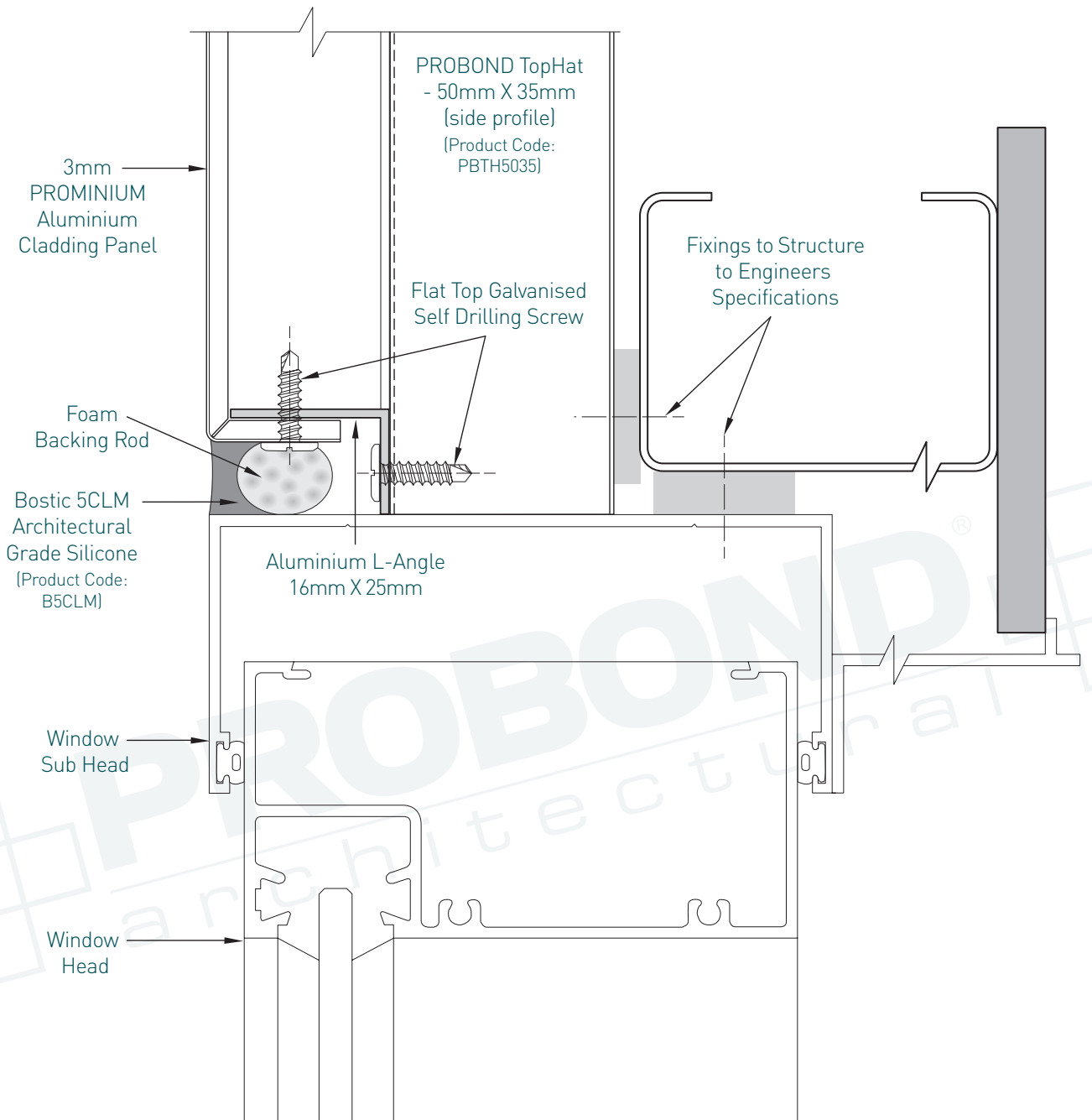
10. Internal Corner Detail

PROFIX CASSETTE INSTALLATION - PROMINIUM



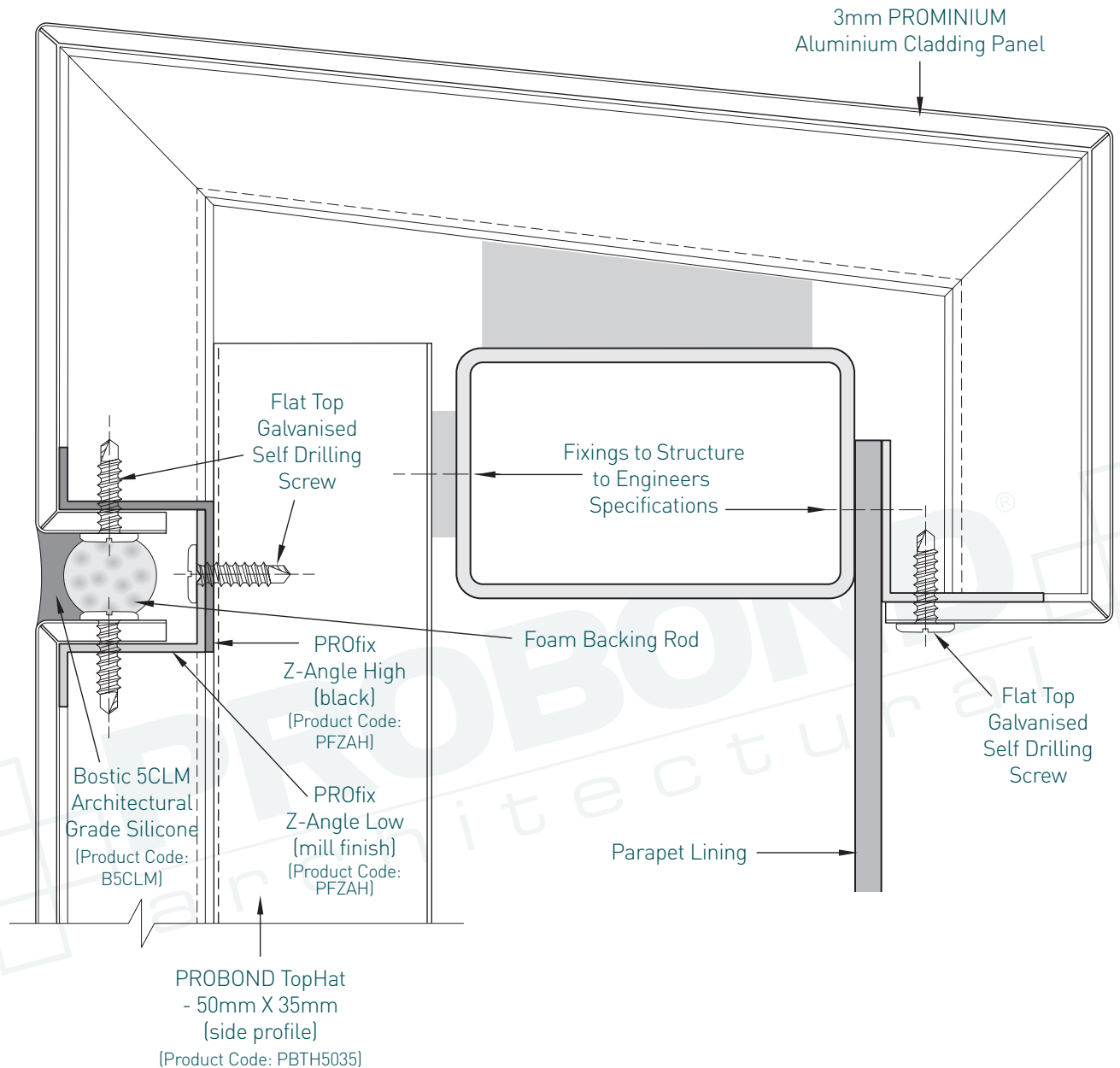
11. Window Sill Detail

PROFIX CASSETTE INSTALLATION - PROMINIUM



12. Window Head Detail

PROFIX CASSETTE INSTALLATION - PROMINIUM



13. Parapet Capping Detail