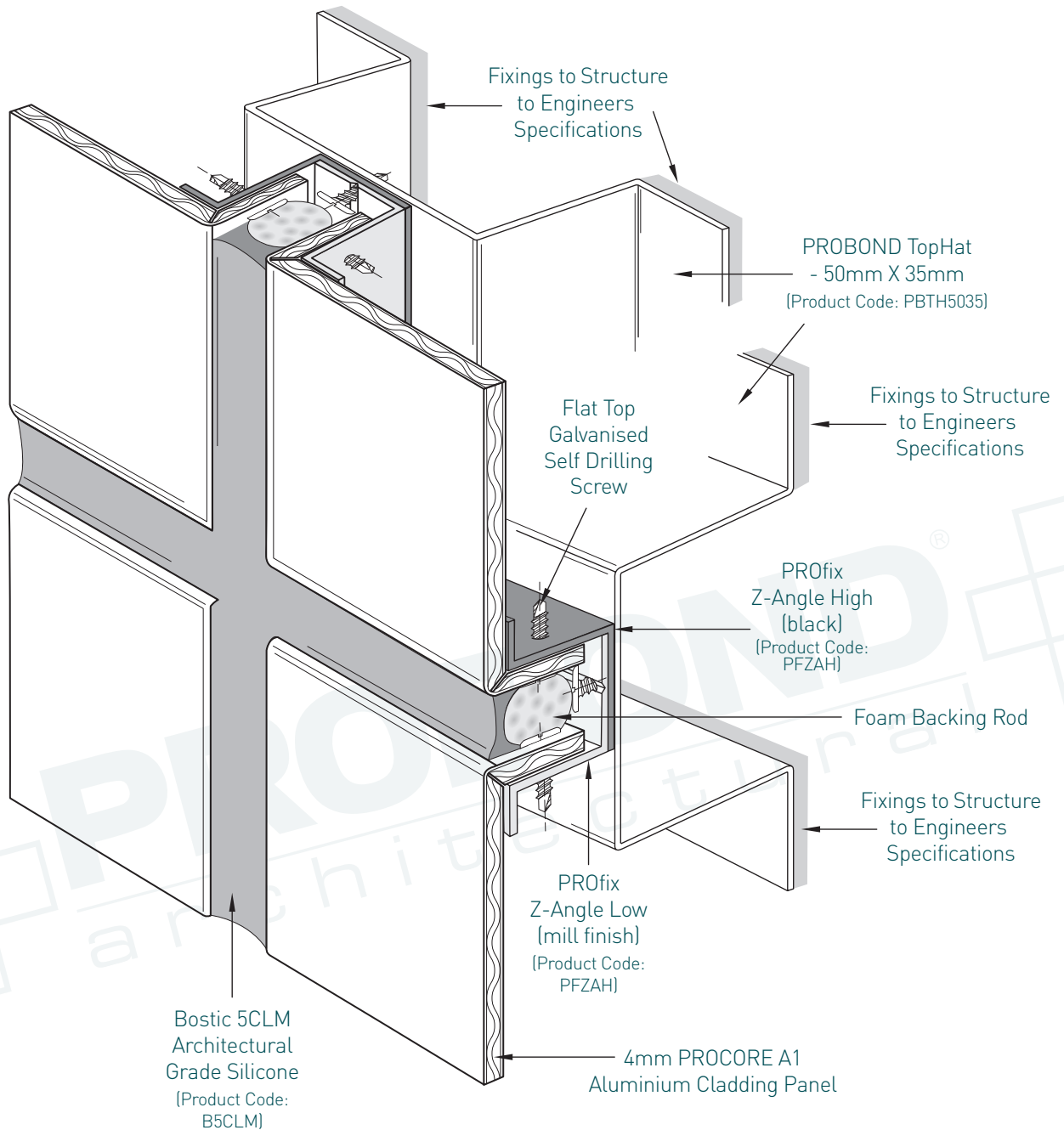
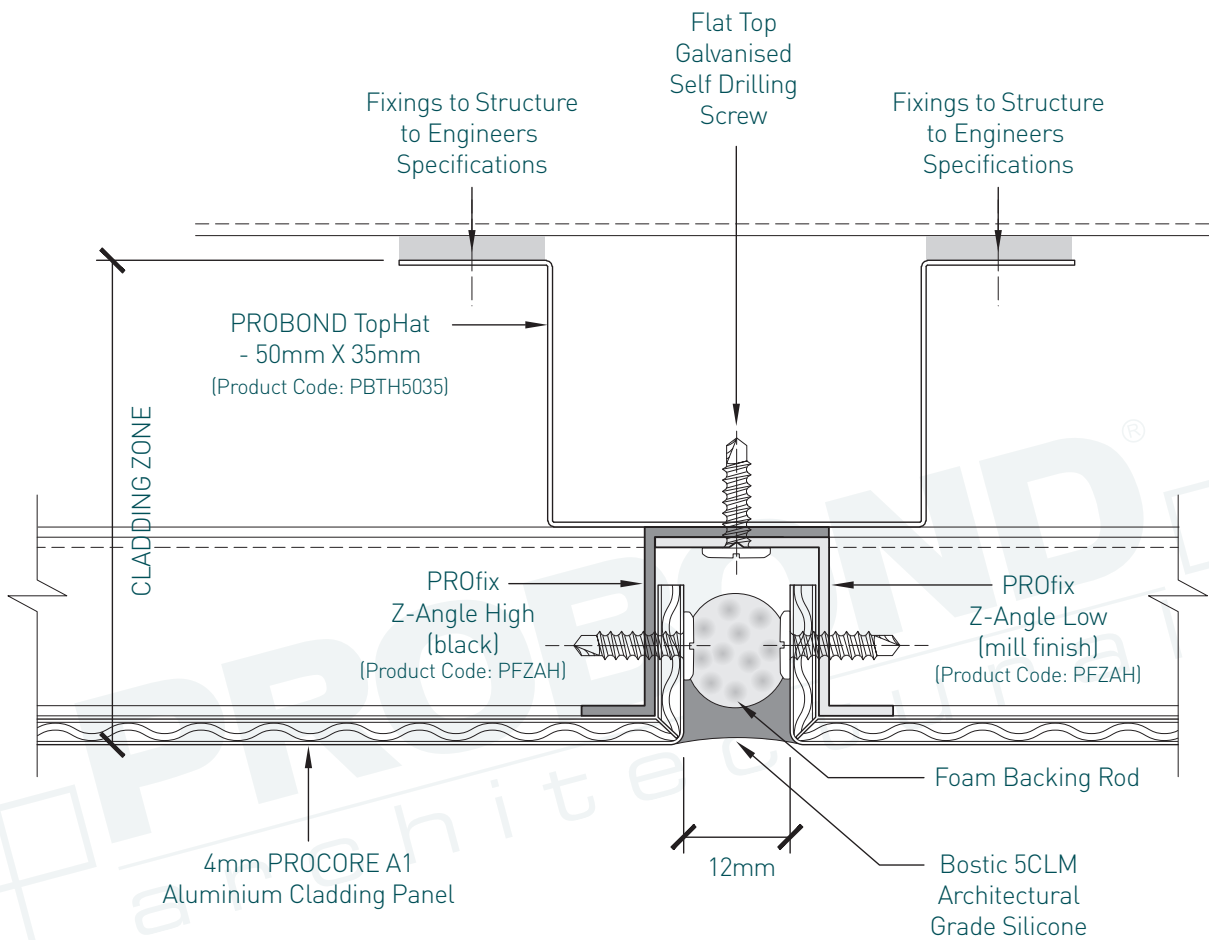


PROFIX CASSETTE INSTALLATION - PROCORE A1



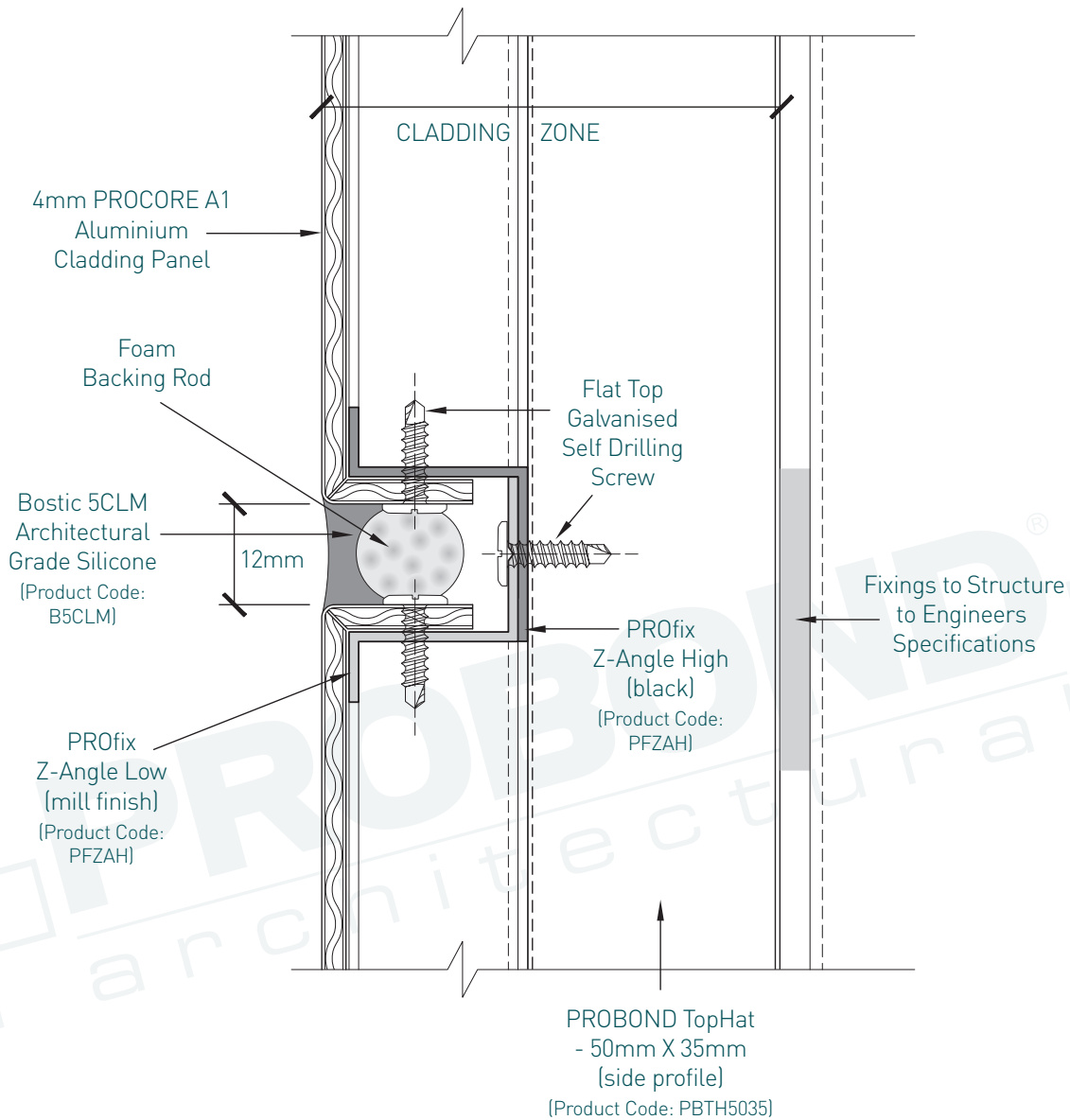
1. Face Detail - Cassette Installation

PROFIX CASSETTE INSTALLATION - PROCORE A1



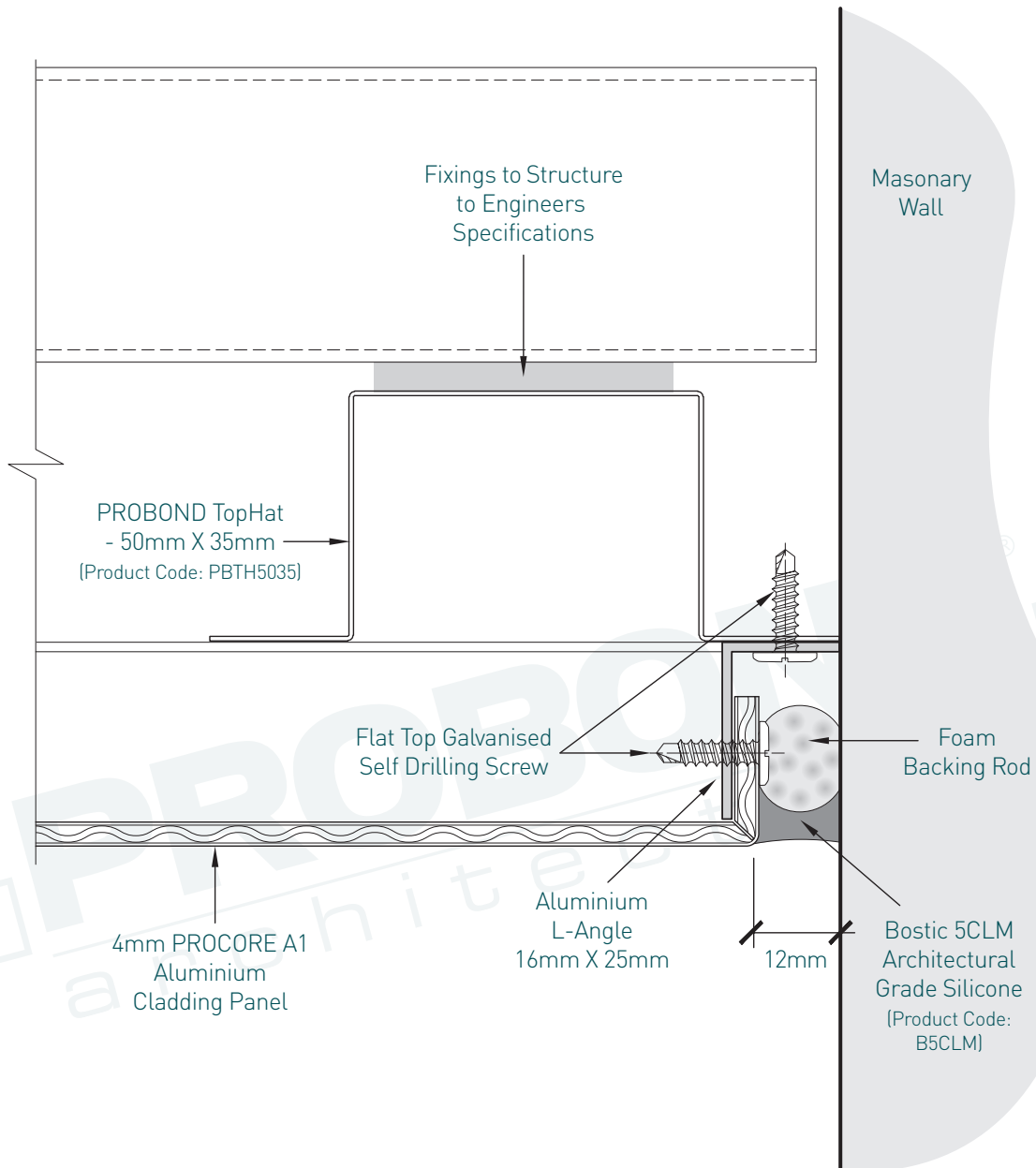
2. Typical Panel Joint Detail

PROFIX CASSETTE INSTALLATION - PROCORE A1



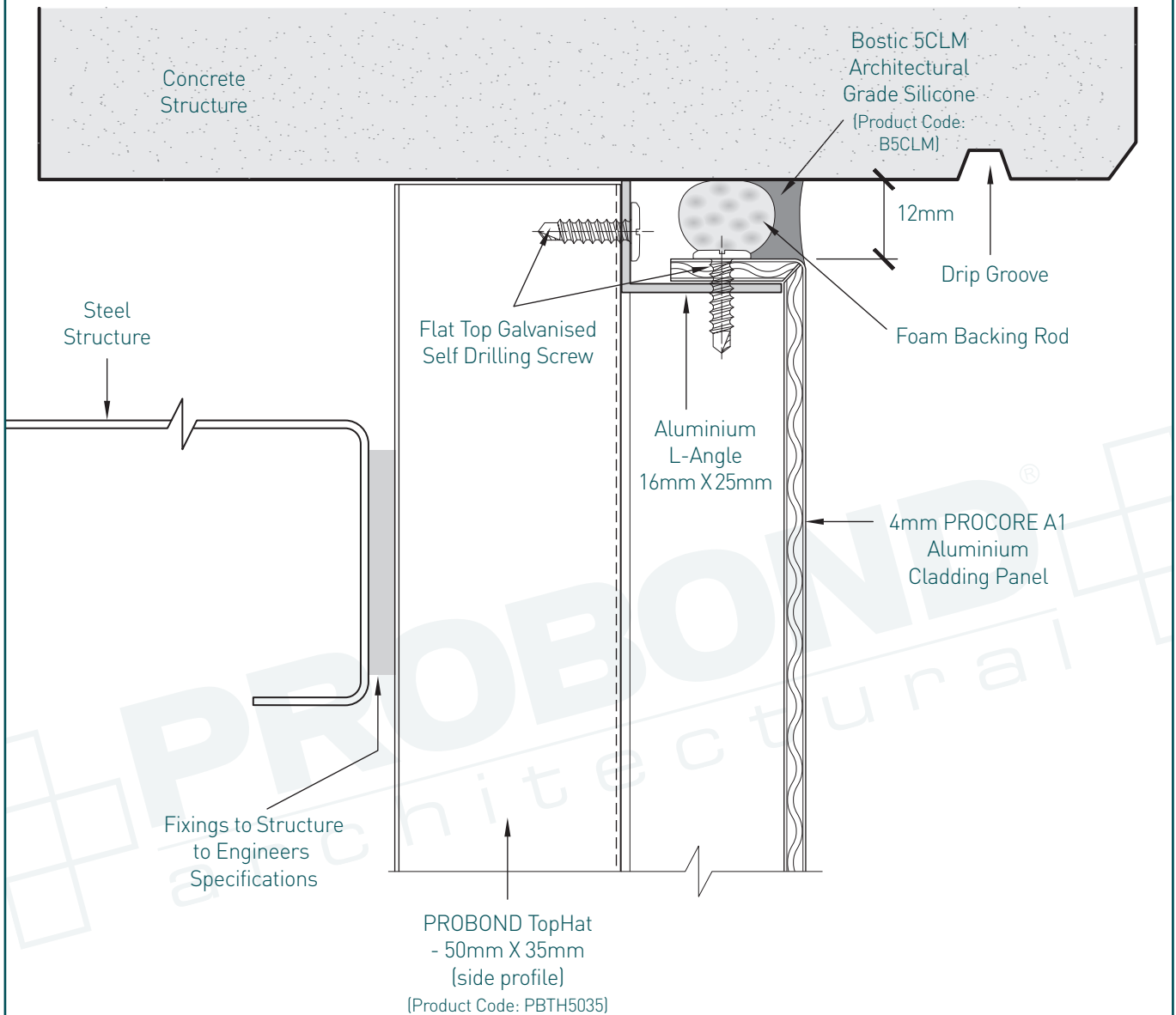
3. Horizontal Joint Detail

PROFIX CASSETTE INSTALLATION - PROCORE A1



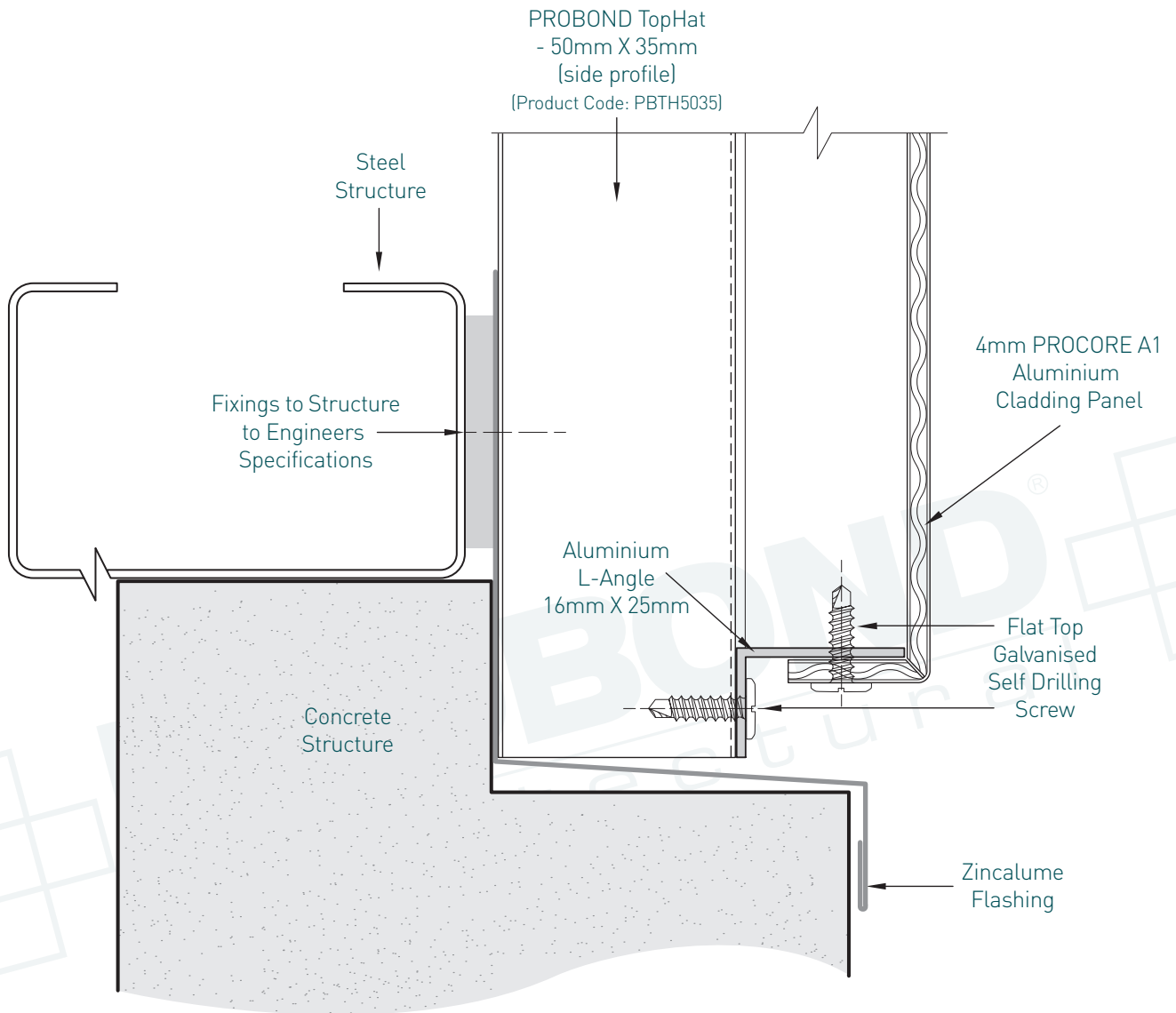
4. Detail Showing Panel at Masonry Wall

PROFIX CASSETTE INSTALLATION - PROCORE A1



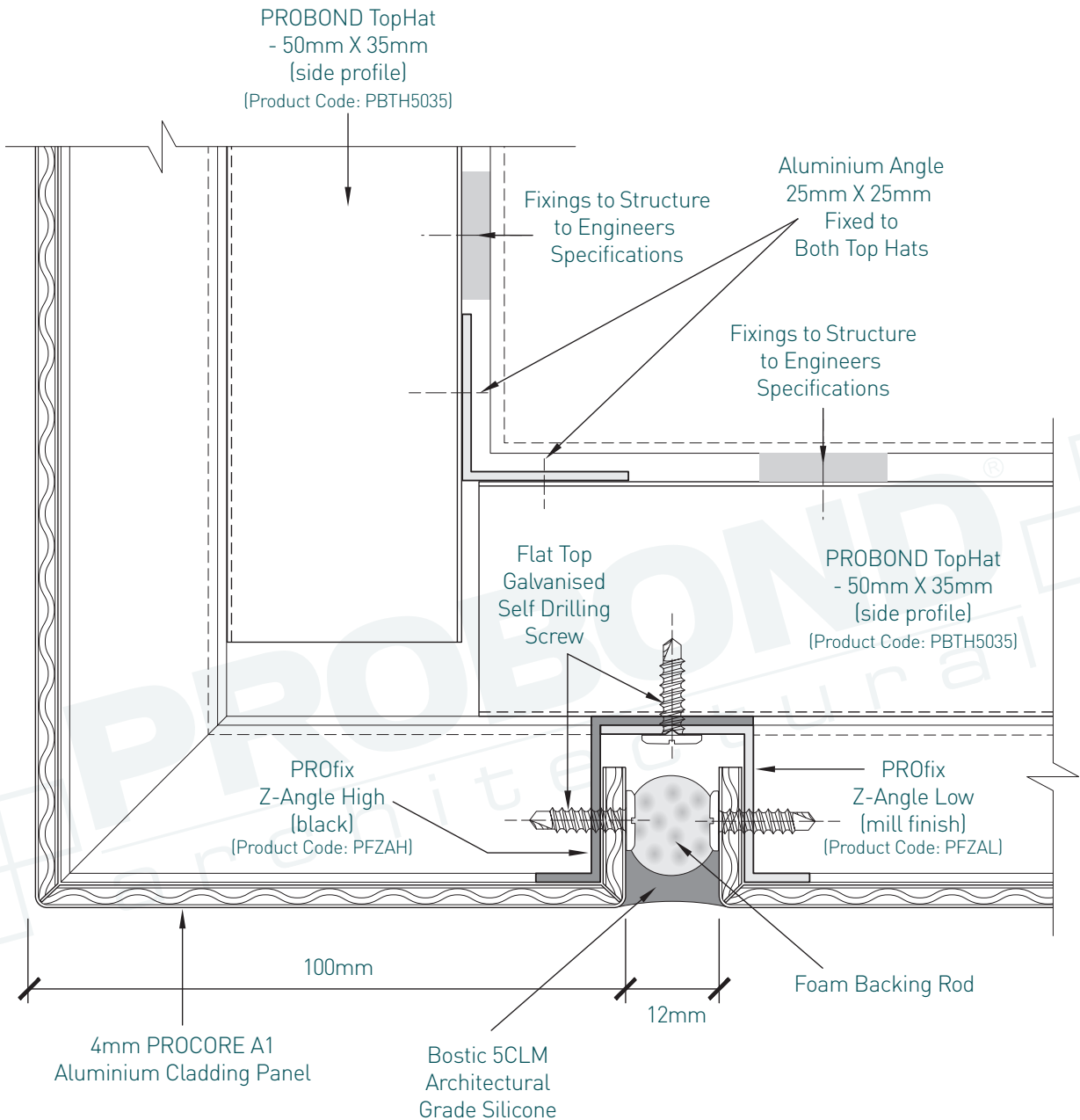
5. Detail at Slab Junction-Head

PROFIX CASSETTE INSTALLATION - PROCORE A1



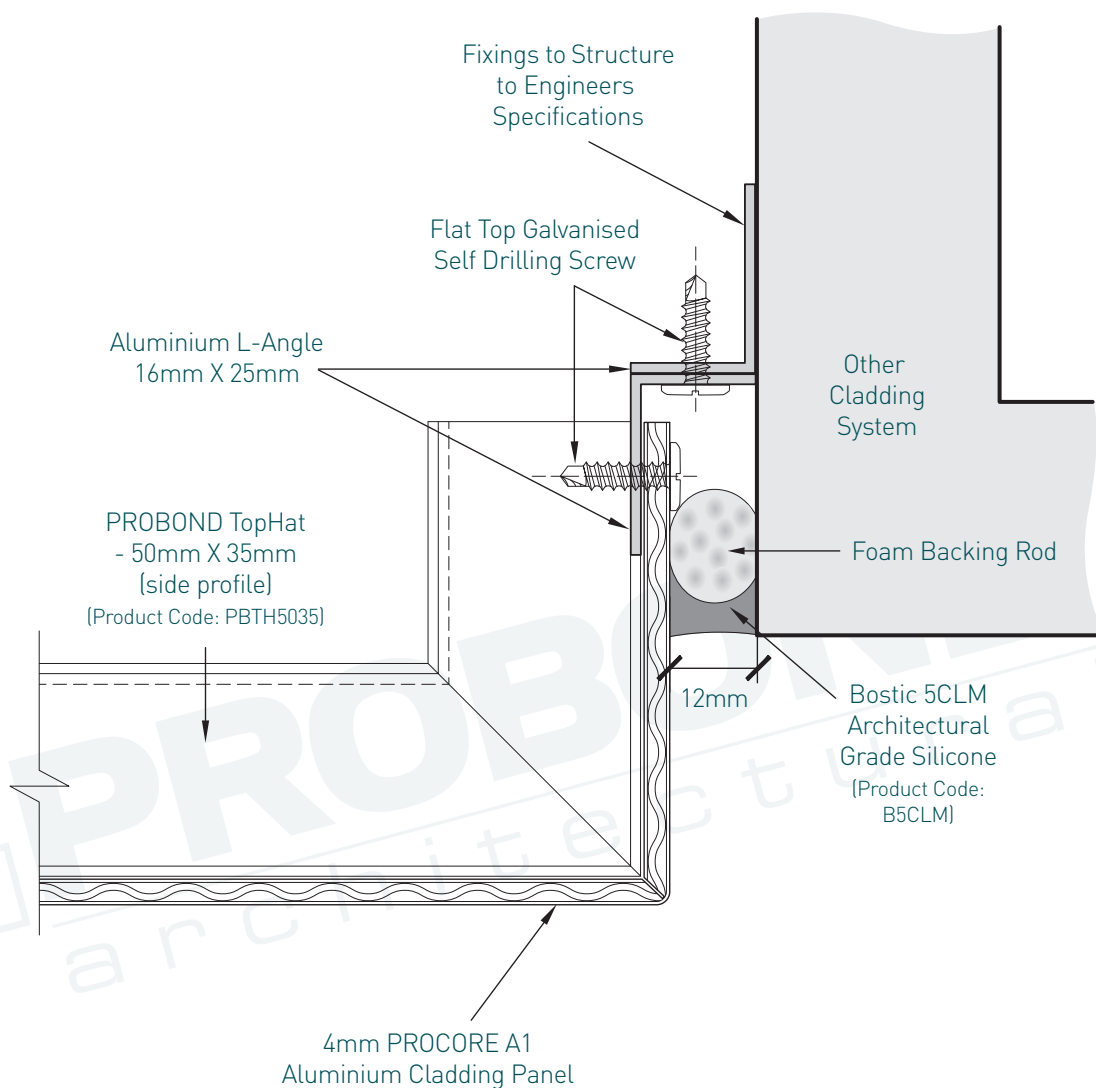
6. Detail at Slab Junction-Base

PROFIX CASSETTE INSTALLATION - PROCORE A1



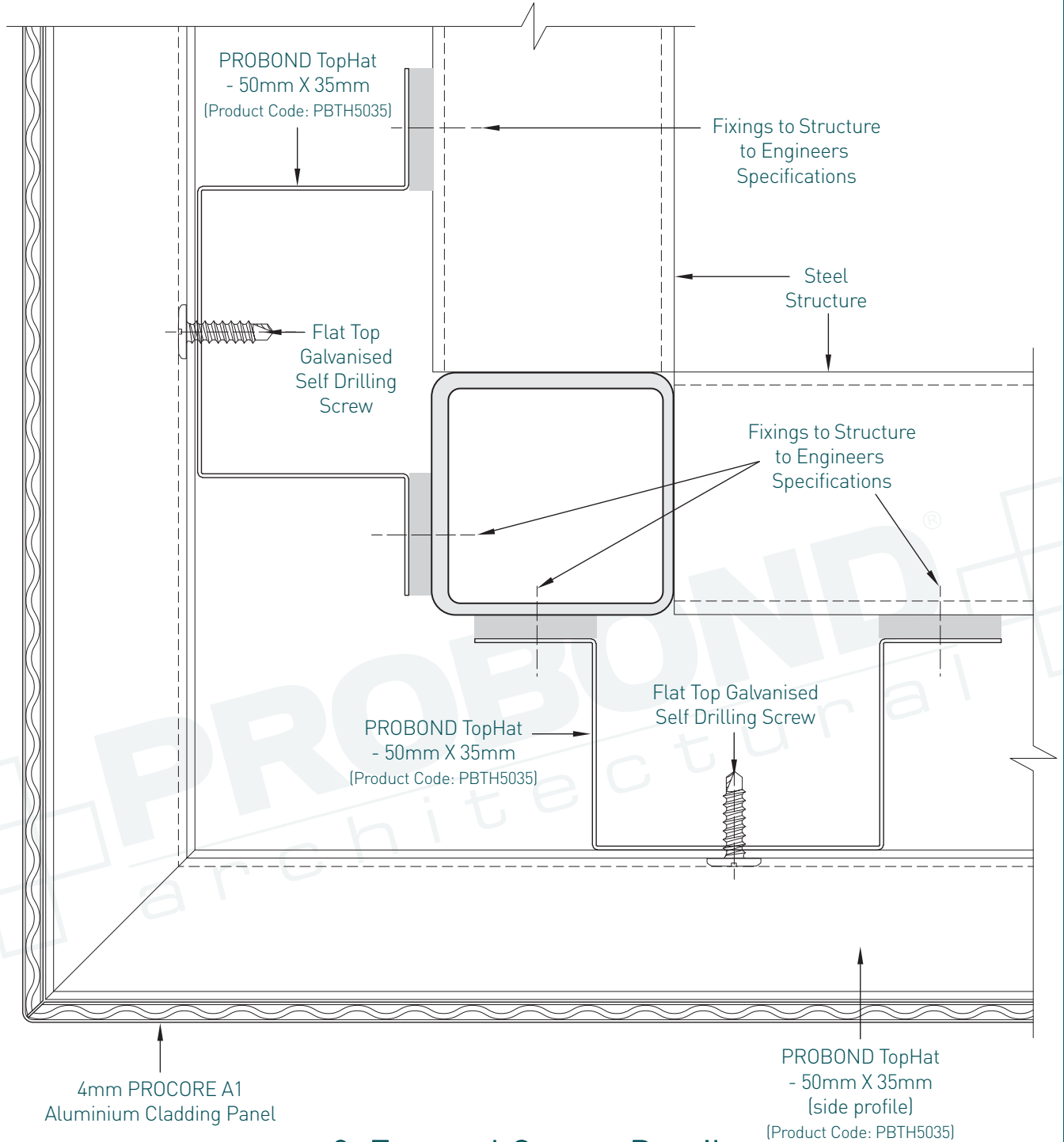
7. Detail at Soffit Junction

PROFIX CASSETTE INSTALLATION - PROCORE A1



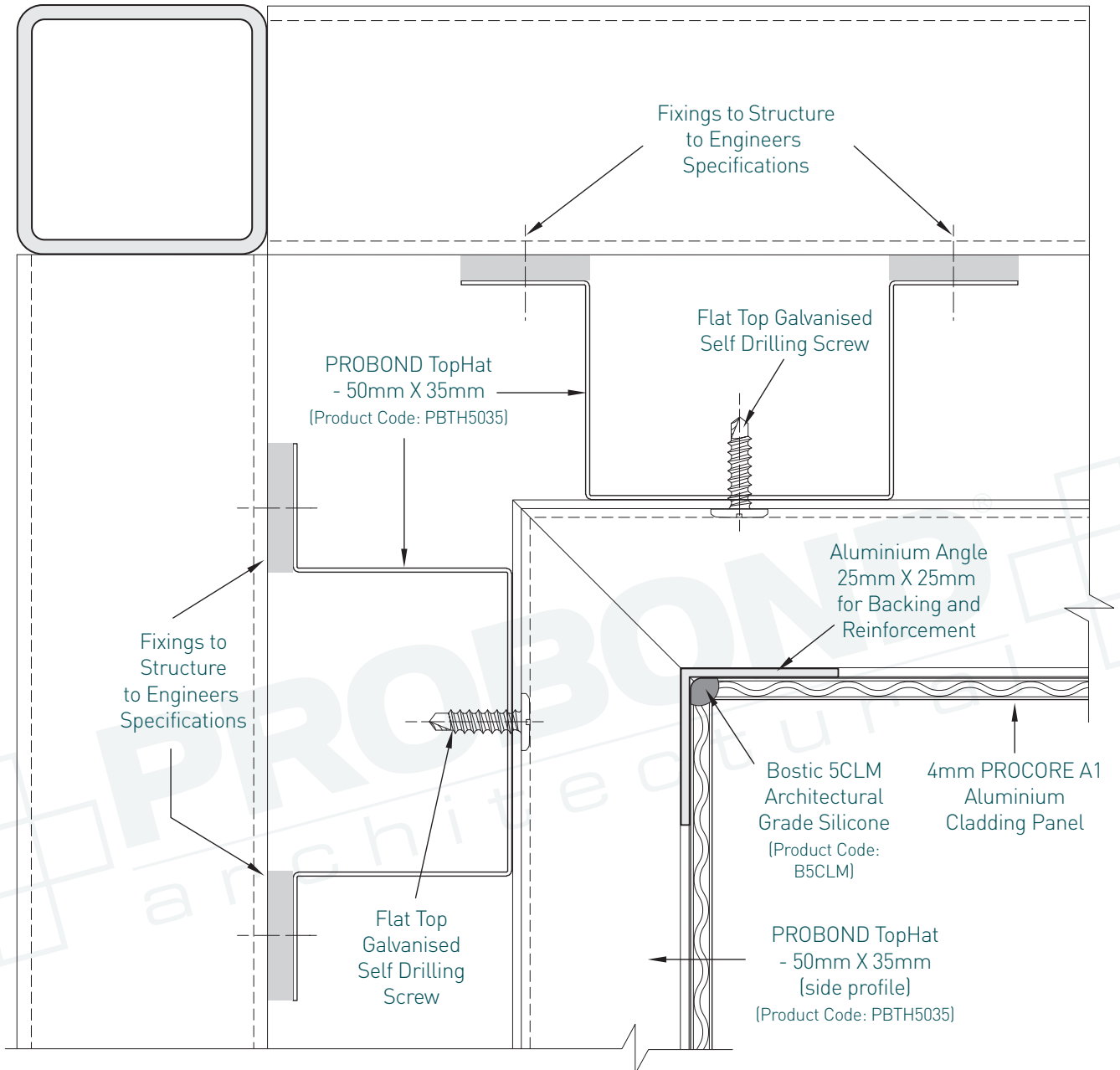
8. Wall Abutment Detail

PROFIX CASSETTE INSTALLATION - PROCORE A1



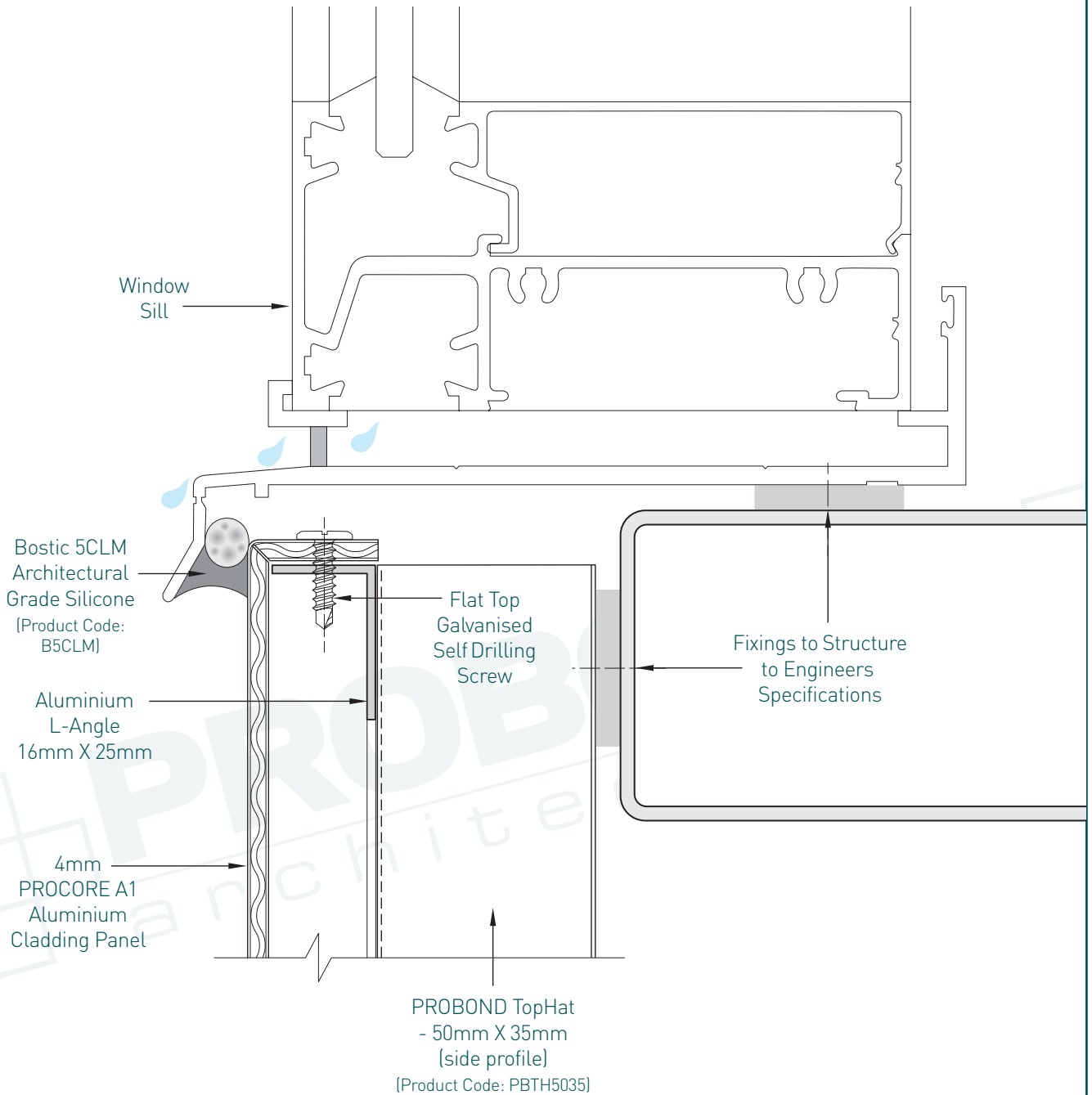
9. External Corner Detail

PROFIX CASSETTE INSTALLATION - PROCORE A1



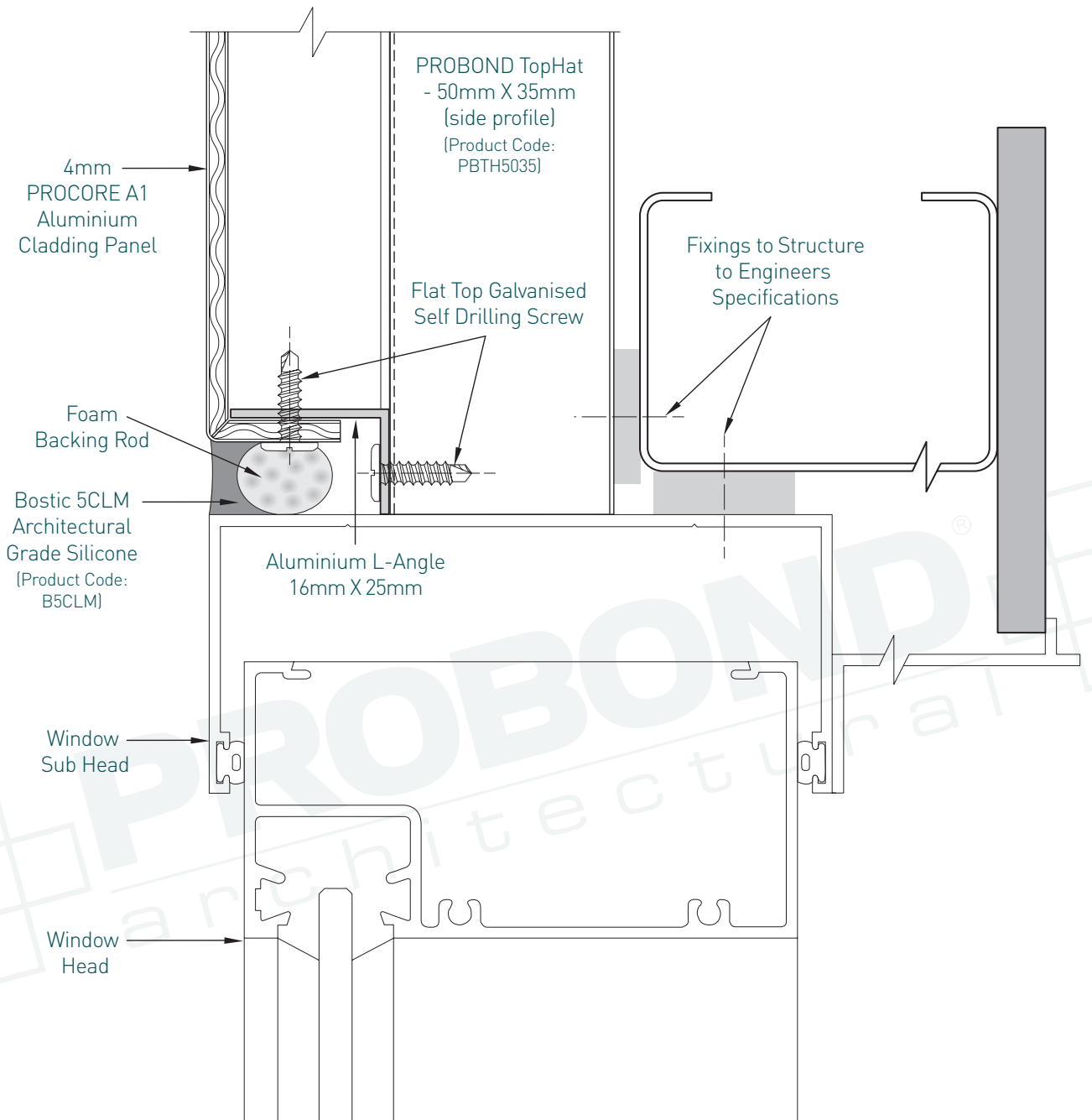
10. Internal Corner Detail

PROFIX CASSETTE INSTALLATION - PROCORE A1



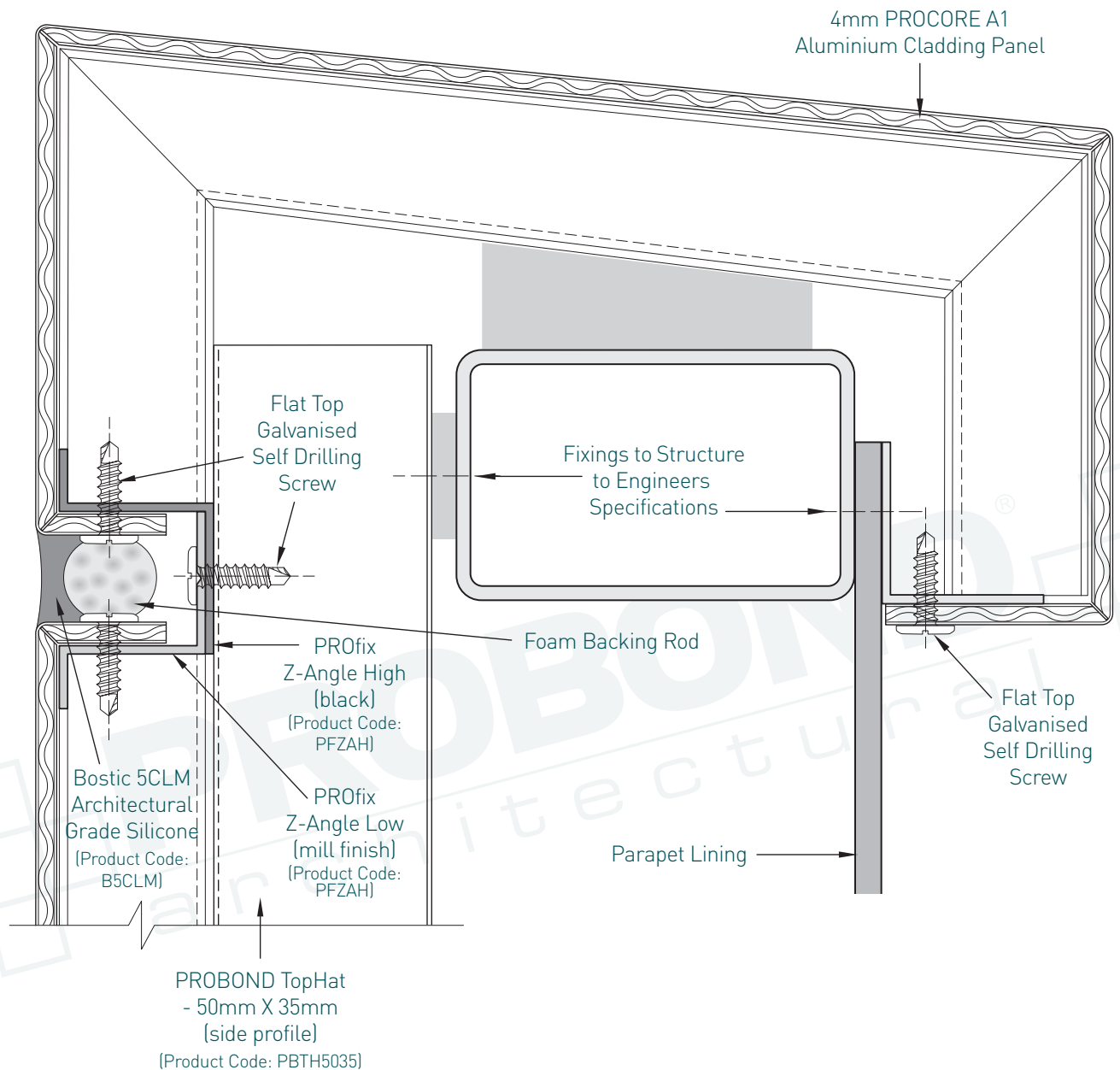
11. Window Sill Detail

PROFIX CASSETTE INSTALLATION - PROCORE A1



12. Window Head Detail

PROFIX CASSETTE INSTALLATION - PROCORE A1



13. Parapet Capping Detail