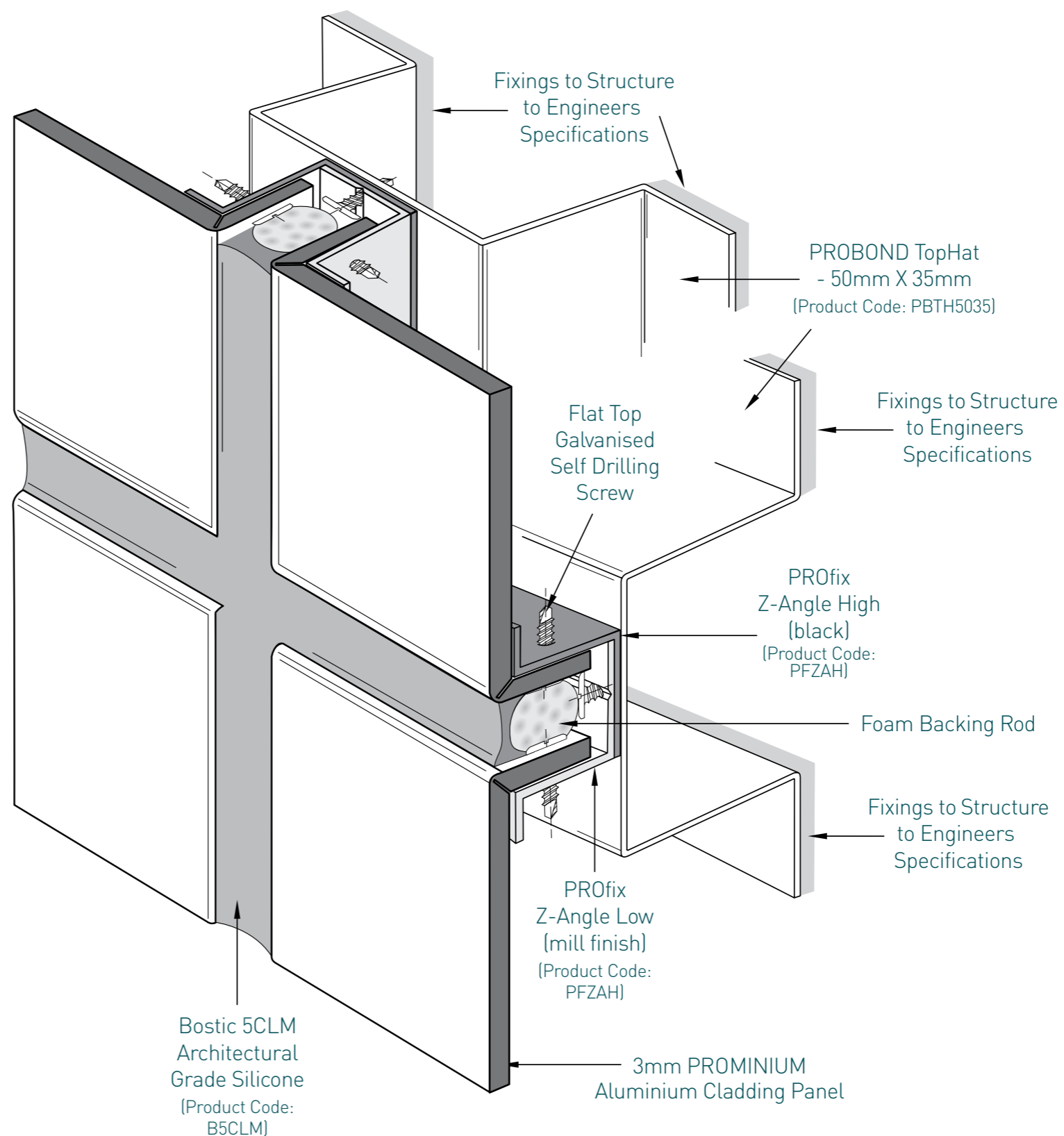
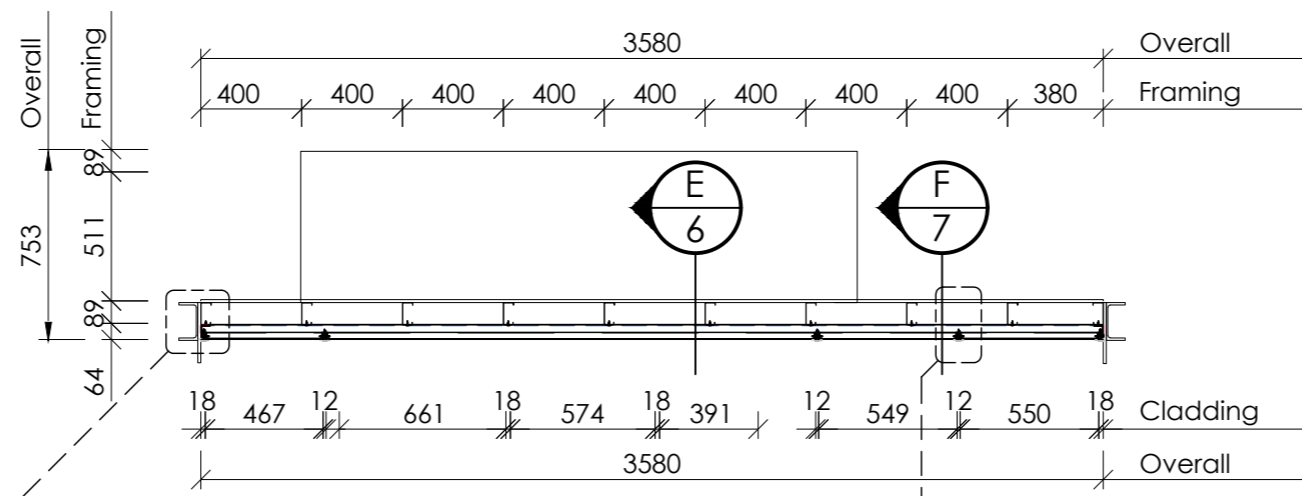


# PROfix<sup>®</sup>

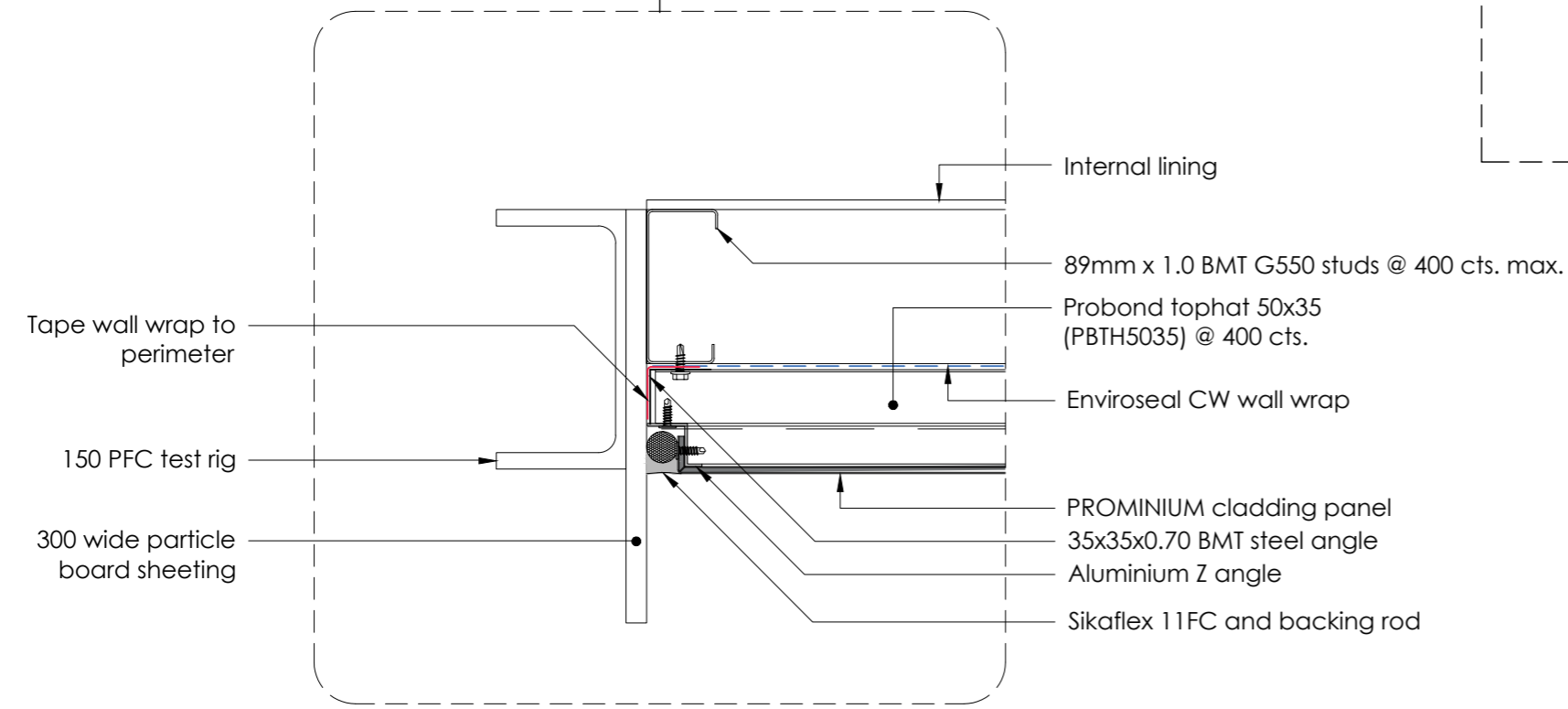
## Cassette Installation

### PROMINIUM





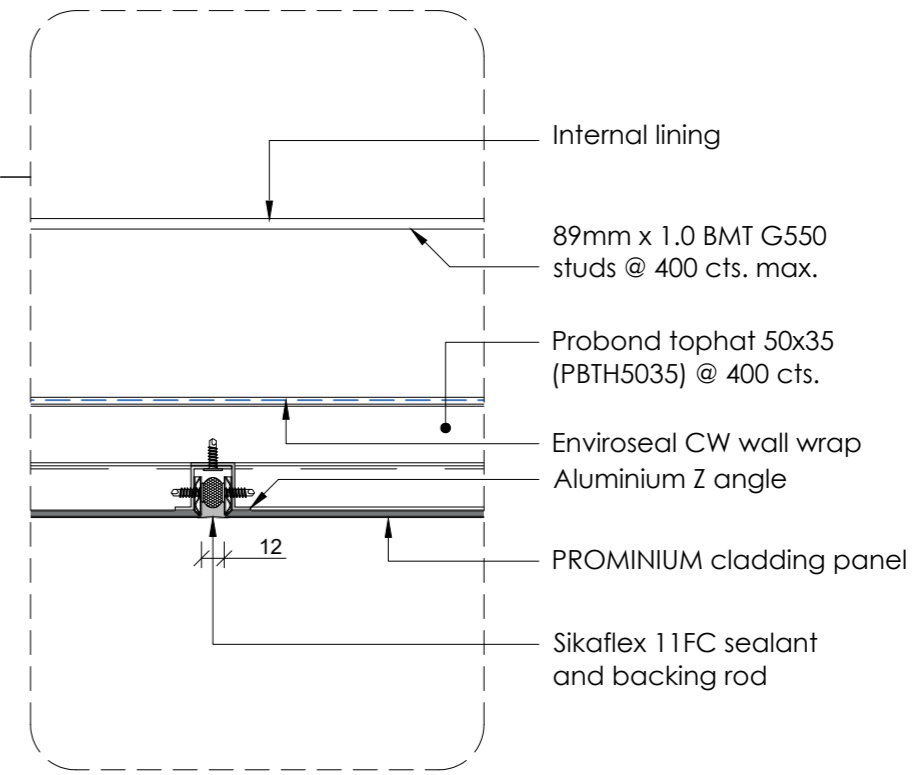
**SECTION A**  
SCALE 1:30



**Side Perimeter Detail**  
Scale 1:4

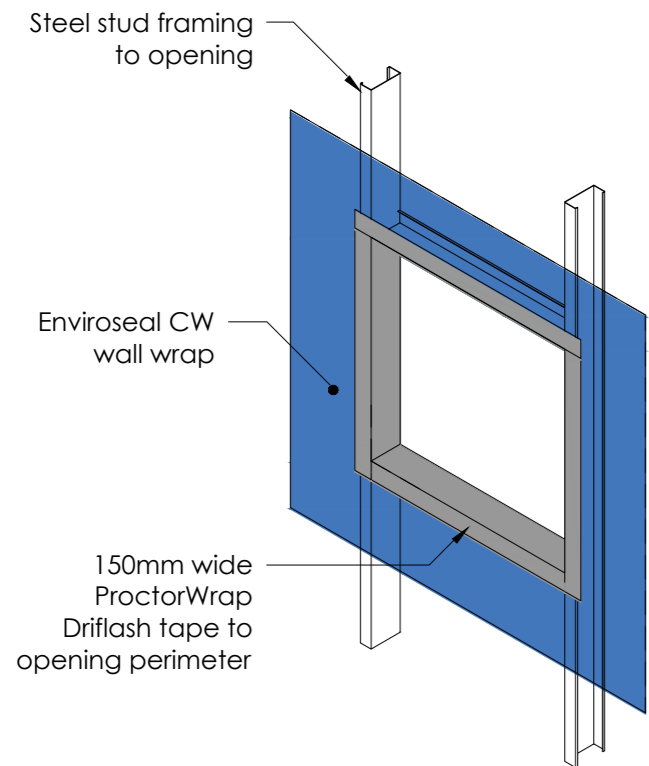
Tape wall wrap to perimeter  
150 PFC test rig  
300 wide particle board sheeting

Internal lining  
89mm x 1.0 BMT G550 studs @ 400 cts. max.  
Probond tophat 50x35 (PBTH5035) @ 400 cts.  
Enviroseal CW wall wrap  
PROMINIUM cladding panel  
35x35x0.70 BMT steel angle  
Aluminium Z angle  
Sikaflex 11FC and backing rod

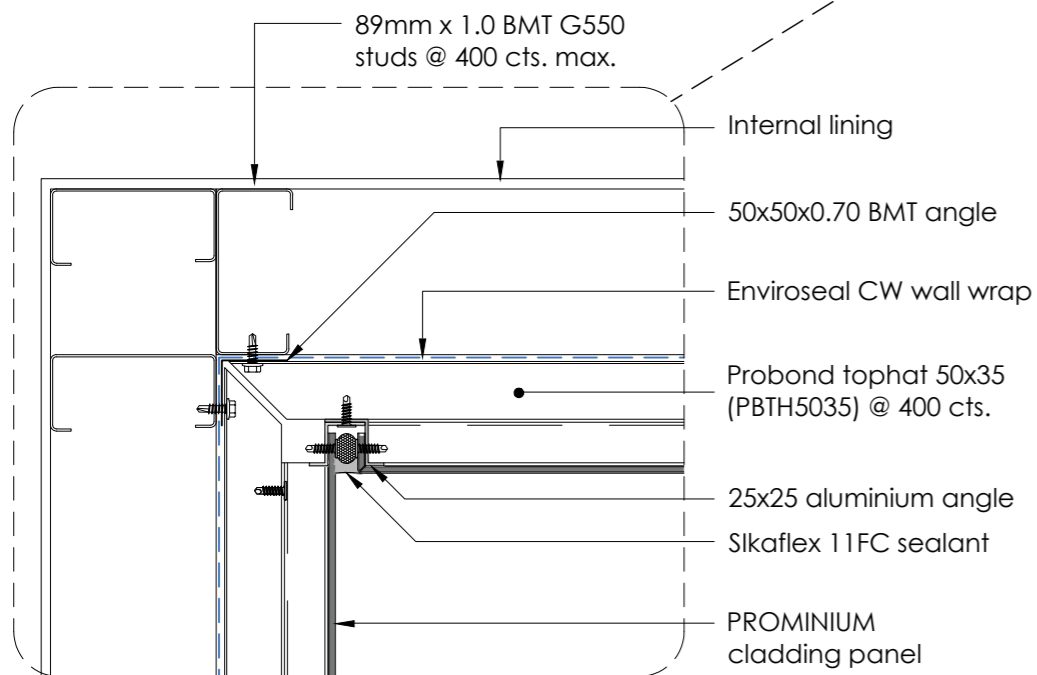
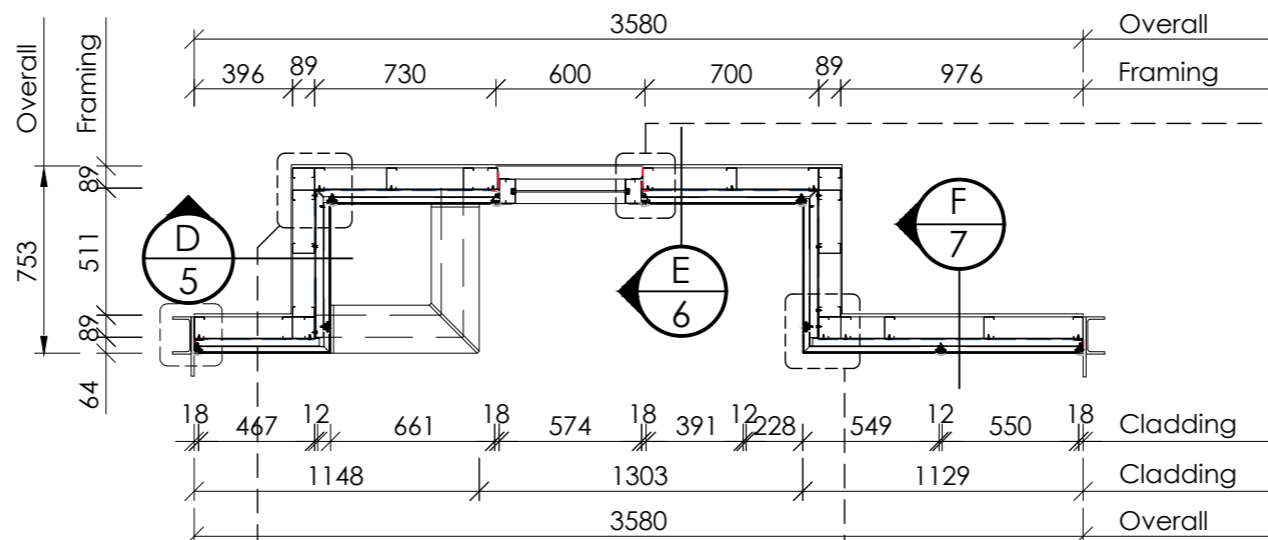


**Typical Joint Detail**  
Scale 1:4

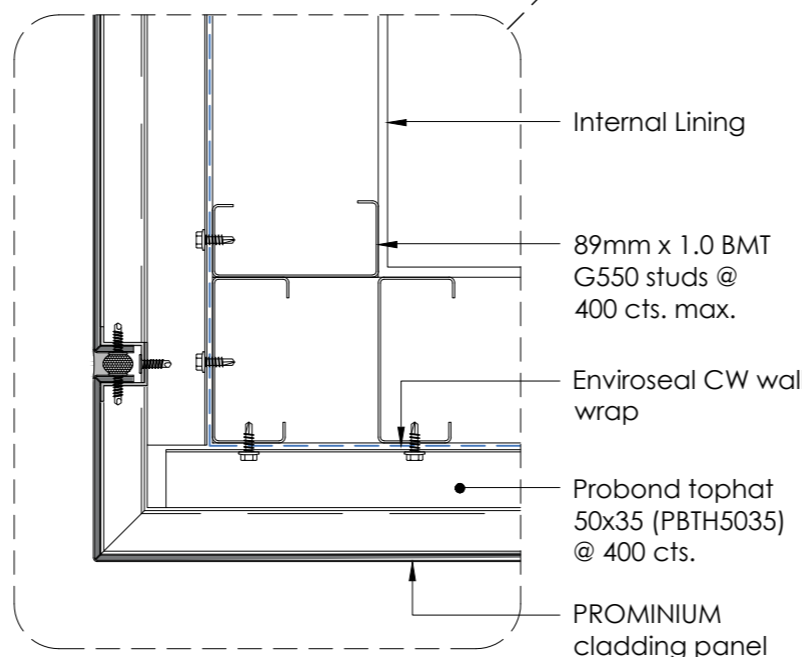
Internal lining  
89mm x 1.0 BMT G550 studs @ 400 cts. max.  
Probond tophat 50x35 (PBTH5035) @ 400 cts.  
Enviroseal CW wall wrap  
Aluminium Z angle  
PROMINIUM cladding panel  
Sikaflex 11FC sealant and backing rod



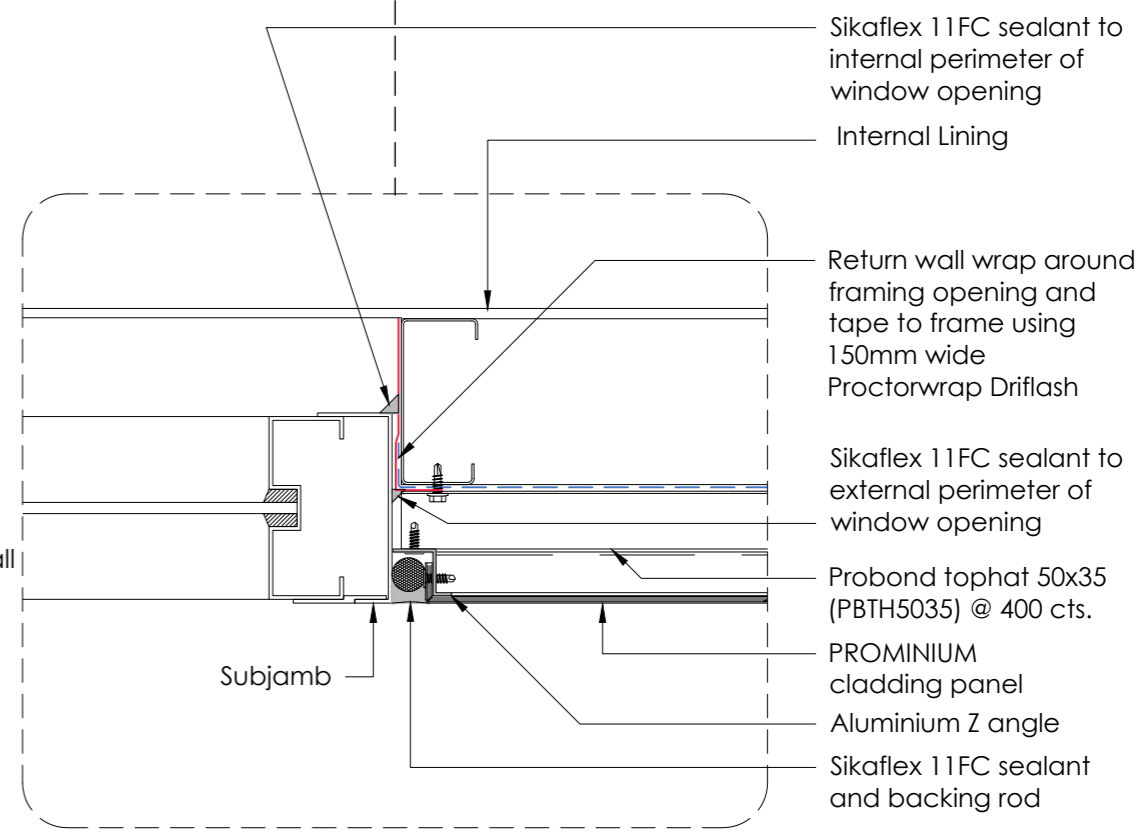
**Window Opening Detail**  
Scale 1:20



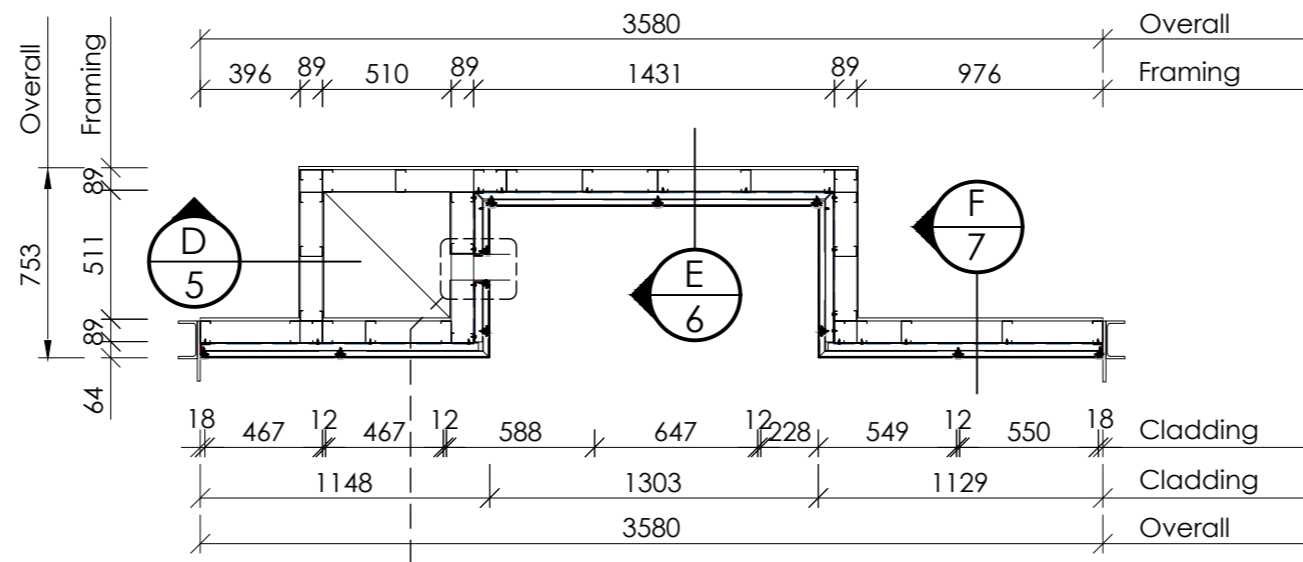
**Internal Corner Detail 1**  
Scale 1:4



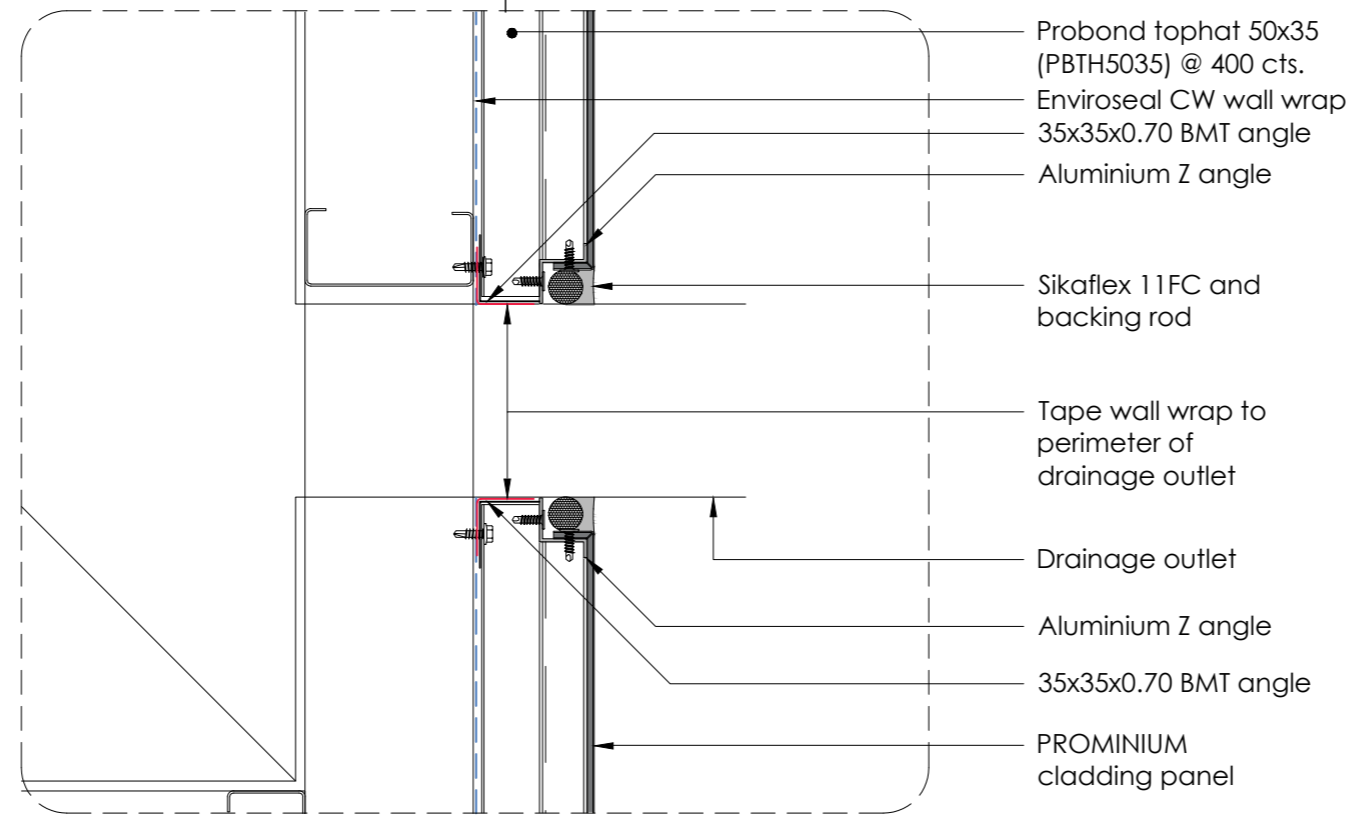
**External Corner Detail**  
Scale 1:4



**Window Jamb Detail**  
Scale 1:4



SECTION **C**  
SCALE 1:30



Drainage Outlet Detail  
Scale 1:4

- Probond tophat 50x35 (PBTH5035) @ 400 cts.
- Enviroseal CW wall wrap
- 35x35x0.70 BMT angle
- Aluminium Z angle
- Sikaflex 11FC and backing rod
- Tape wall wrap to perimeter of drainage outlet
- Drainage outlet
- Aluminium Z angle
- 35x35x0.70 BMT angle
- PROMINIUM cladding panel

